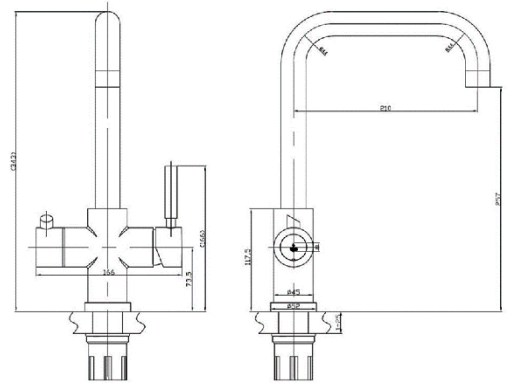


## Tap Details

- Height: 343mm
- Width: 166mm
- Colour/Finish: Polished Chrome
- Material: Brass
- Style: Modern
- 360° Swivel Spout
- High Quality
- Tri Flow Kitchen Tap
- Hot + Cold Lever Mixer Handles with standard water on the right
- Child safe spring lock boiling water dispenser
- Replaceable carbon filter provided
- Minimum Tap Hole Size: 35mm
- Guarantee: 5 Year



## Boiler Details

- Touch Screen Digital Interactive Control
- 2.4 Litre Boiler Unique
- Unvented Design Eliminates Extra Pipework
- Temperature Adjustable from 75°C to 98°C
- Unobtrusive Easy Clean Compact Design
- Guarantee: 2 Year



**Refer to instructions for additional information regarding installation.**

**The instant hot water appliance is an open vented system appliance when not being operated the pressure is 1.0 bar. The operating pressure is 1.5 bar to 5 bar.**

**Replacement Cycle for Water Filter – 3-6 Months**