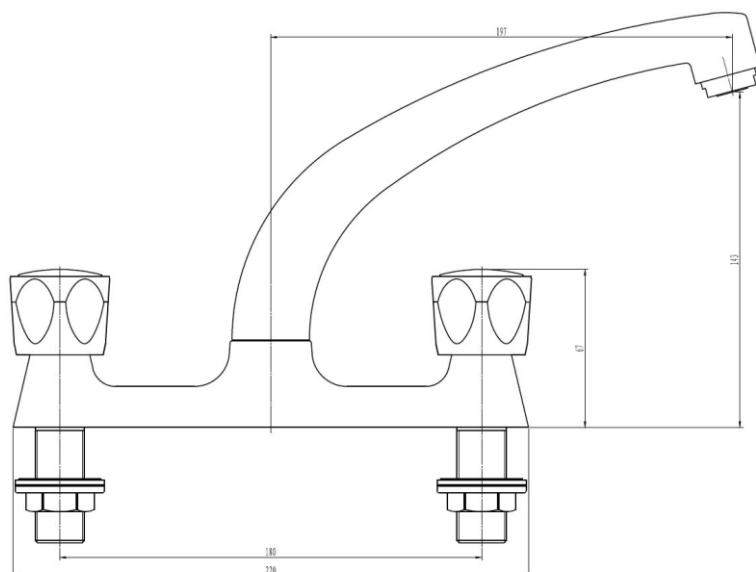


## Technical Data Information

**Product Code:** 580006

**Information:** Contract Dual Flow Deck Sink Mixer  
Pressure System: Dual Flow  
Head: Brass Valve  
Inlet: 1/2" Flexi Hoses  
Outlet: Aerator  
Min/Max Operating Pressure: 0.2 - 5 BAR

**Overall Dimensions:** H: 143 L: 197 x W: 220



All Dimensions are in millimetres. The information contained on this page was correct at date of issue. Fitting dimensions are provided as a guide only. Some variation may occur due to manufacturing tolerances. We pursue a policy of continuing improvement in design and performance of our products and so reserve the right to change specifications without prior notice.