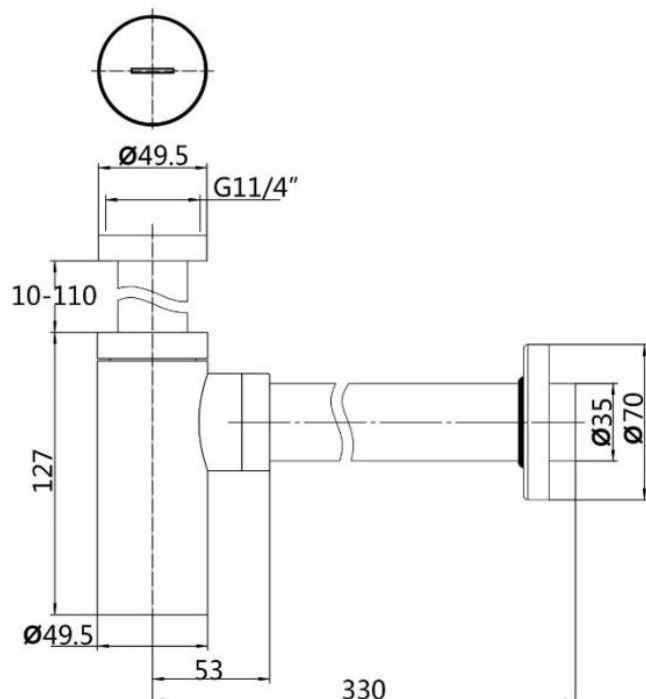


Technical Data Information

Product Code:	ASBT02K
Information:	Bottle trap
Construction	Brass & Zinc Alloy
Finishes	Black Matt
Product Type	Contemporary
Water Pressure	-
Plumbing Systems	Suitable for all plumbing systems
Standards	-
Certification	-
Size	320 mm
Fitting	Ø35mm
Packaging	52 x 33.5 x 45.5cm / carton (24 boxes / carton)
Guarantee	1 years against manufacturing faults (excluding serviceable parts).



All Dimensions are in millimetres. The information contained on this page was correct at date of issue. Fitting dimensions are provided as a guide only. Some variation may occur due to manufacturing tolerances. We pursue a policy of continuing improvement in design and performance of our products and so reserve the right to change specifications without prior notice.