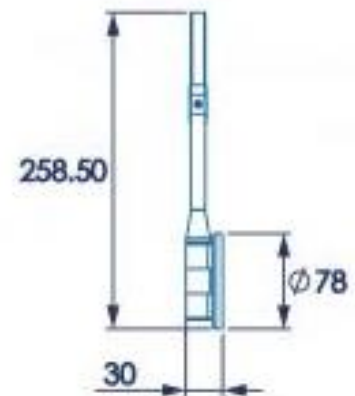
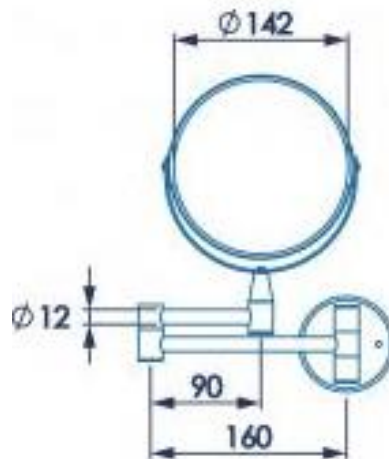
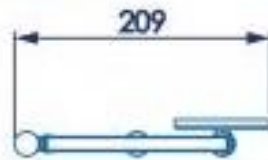


Technical Data Information

Product Code: CROQA103041

Information: Carlton Magnifying Mirror

Overall Dimensions: H: 280 x D: 30 x W: 205



All Dimensions are in millimetres. The information contained on this page was correct at date of issue. Fitting dimensions are provided as a guide only. Some variation may occur due to manufacturing tolerances. We pursue a policy of continuing improvement in design and performance of our products and so reserve the right to change specifications without prior notice.