

R.T. LARGE

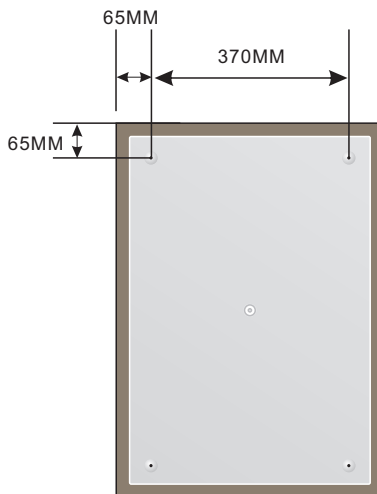
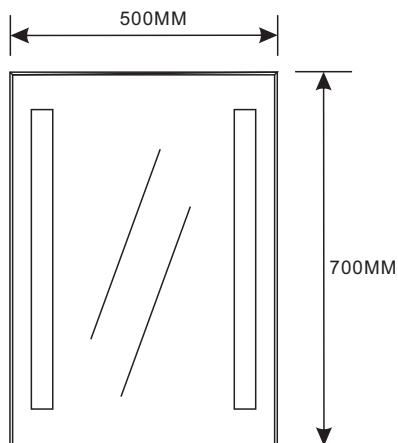
ESTABLISHED 1969



MRTL256 ELBA 50 (TH-1)

Features:

- High density LED technology
- IR Motion sensor switch
- SQ Class ultra-clear flat glass surface
- Copper free silver mirror with Valspar Anti-Oxidationcoating
- LED lifespan over 100,000 hours
- Compliant with CE, EMC, LVD, IP44, RoHS
- Power socket for shaver and hair dryer



Installation and aftercare instructions:

Before you start it is recommended that the mirror is secured to a suitably reinforced wall to ensure stability. Wall plugs are only suitable for solid stone/brick walls. For plasterboard walls use specialist wall plugs (not supplied).

Wear suitable eye protection when drilling. Take care when using power tools near water -the use of a residual current device (RCD) is recommended. Beware of hidden pipes or cables. Take care when drilling tiled surfaces as the drill might slip. Use a piece of masking tape to prevent the drill from wandering.

Unit 2 Bluebell Industrial Estate, Dublin 12
Tel: 01 450 4307 Email:sales@rtlarge.ie
www.rtlarge.ie

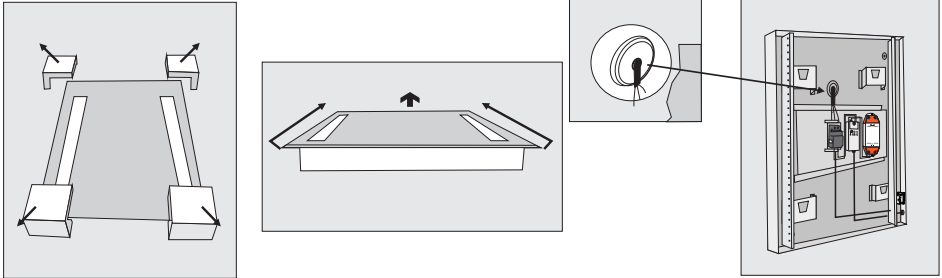
R.T. LARGE

ESTABLISHED 1969

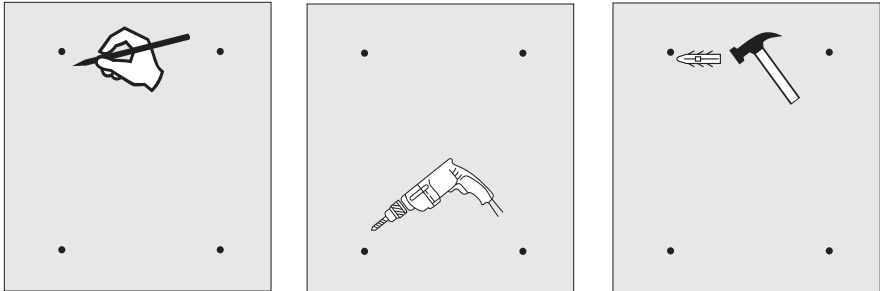
Installation Procedure

IMPORTANT: ALWAYS SWITCH OFF THE ELECTRICAL SUPPLY AT THE MAINS DURING INSTALLATION AND MAINTENANCE.

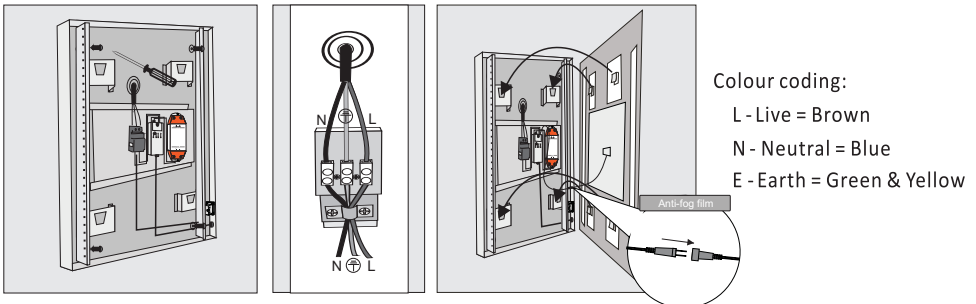
1. Before installation. Decide on a desired location for the mirror. Be mindful of hidden water pipes or electrical cables behind the wall. It is recommended that infrared sensor (if applied) is kept a minimum distance of 150mm from the adjacent wall.



2. Drill the holes in the wall for the screw plugs supplied in the fixing kit. Ensure the holes are horizontal using a spirit level. Fasten the screws into the plugs leaving the screw head protruding about 10-8mm from the wall.



3. Unscrew the lid of the plastic box at the back of the mirror. Use the electrical connections found inside the box to connect the mirror to the main supply in accordance with the current IEE regulations. Once the connection is made, screw the lid back on the plastic box. Hang the mirror on the wall and switch on the electrical supply.



Colour coding:
L - Live = Brown
N - Neutral = Blue
E - Earth = Green & Yellow

R.T. LARGE

ESTABLISHED 1969

Operating Instructions

Lighting is turned on/off using the IR motion sensor switch on the lower right of the mirror, to operate, cover the sensor zone by moving your finger over it, please note there is 10~15cm distance required from the sensor to the wall in order to make it work.

Electrical Safety Instructions

All fittings must be installed by a competent person, in accordance with current IEE wiring regulations. If in doubt please consult a qualified electrician.

Safety, Care and Cleaning

DO NOT strike glass components with hard or pointed items. DO NOT place very hot or very cold items against or in close proximity to glass surfaces unless an adequately thick insulation material is used to prevent such items coming in contact with the glass.

The nominal thickness of the mirror glass used in this product is 5mm. If the glass becomes chipped or broken replace immediately.

This product should not be positioned near curtains and/or other fabrics. Never cover the mirror. This product maybe become heated, we recommend that it is turned off after use and should never be left on for prolonged periods of time. It is recommended that the unit is cleaned with a soft, dry, non abrasive cloth when turned off. Never use cleaning agents or abrasive materials on any type of surface finish. Do not allow moisture to come into contact with the electrical components.

Customer Care:

For further information please call: **+353 (0) 1 450 4307**