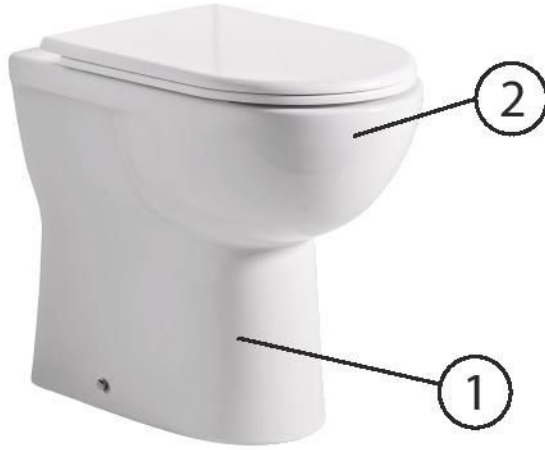
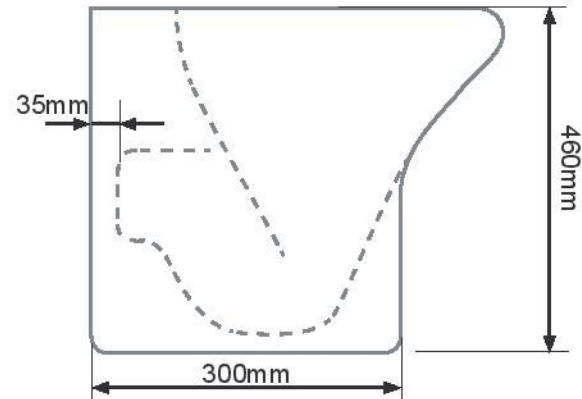
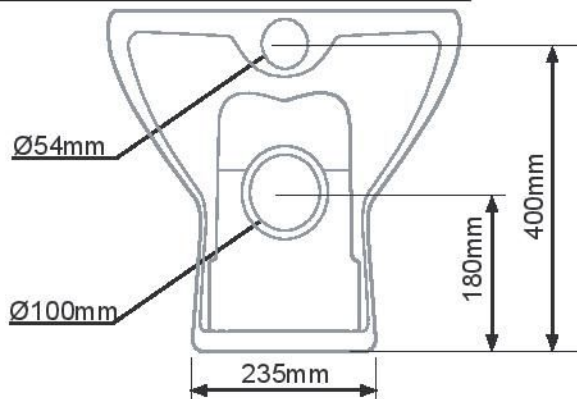
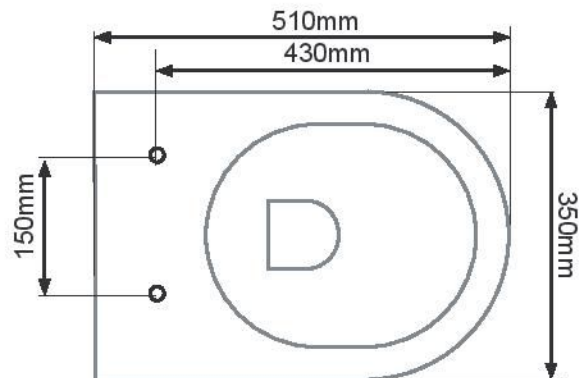


No.	Description	Product Code	Fixings included	Gross Weight	Net Weight
1	Comfort BTW Pan	BTWC100S	Yes	--	--
2	New Soft Close Seat	TS100WSC	Yes	--	--



DIAGRAMS NOT TO SCALE
ALL DIMENSIONS IN MM

Dimension	Measurement
Lid Front to Back	430mm
Lid Left to Right	350mm
Ring Hole Front to Back	280mm
Ring Hole Left to Right	225mm
Seat Overall Thickness	30mm
Width of Back of Seat	350mm
Min/Max Adjustment for Fixings	60/165mm



FAQ's

- What side is the inlet located?
- Can this pan be used with a side connection outlet pipe?
- Are there any other compatible seats?

Extra Dimensions

- Central Footprint Width = 230mm
- Front Footprint Width = 190mm
- Height of inlet centre to floor = 400mm
- Pan Hole Front to Back = 330mm
- Pan Hole Width = 265mm
- Belly = 140mm