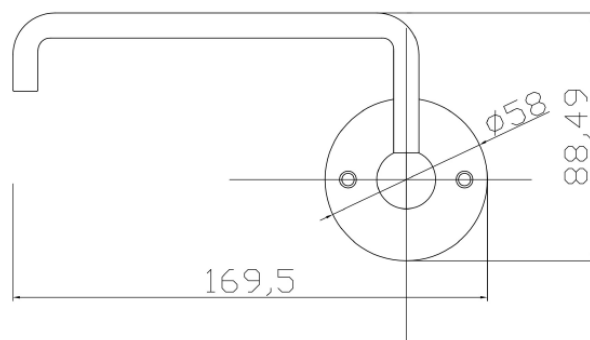
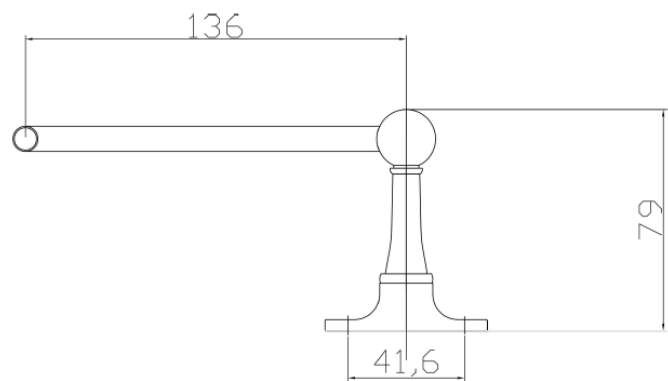


Technical Data Information

Product Code: ULH317

Information: Carlton Toilet Roll Holder

Overall Dimensions: H: 885 x D: 79 x W: 170



All Dimensions are in millimetres. The information contained on this page was correct at date of issue. Fitting dimensions are provided as a guide only. Some variation may occur due to manufacturing tolerances. We pursue a policy of continuing improvement in design and performance of our products and so reserve the right to change specifications without prior notice.