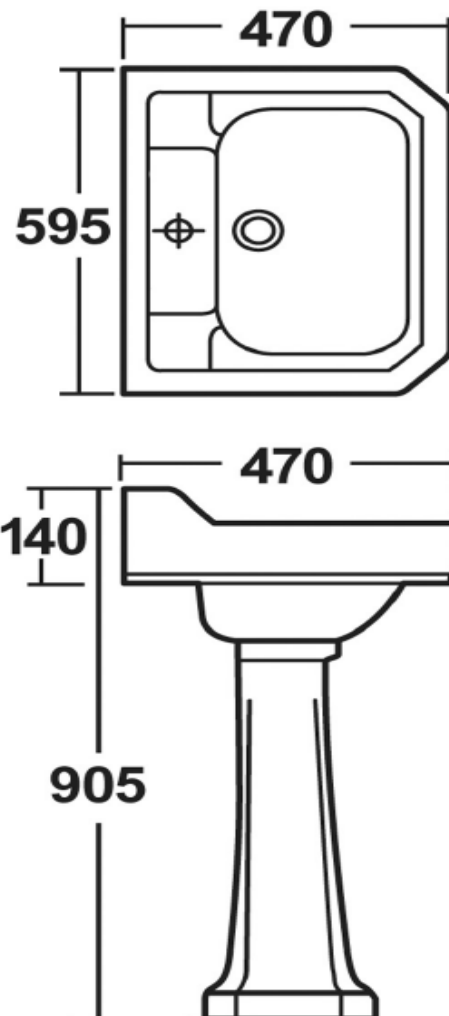


## Technical Data Information

**Product Code:** UNCS882  
**Information:** Richmond 600mm Basin 2TH  
**Colour:** White  
**Material:** Vitreous China  
**Weight:** 16Kg  
**Overflow Cover:** Yes  
**Chain Stay Hole:** Yes

**Overall Dimensions:** H: 266 x D: 470 x W: 595



All Dimensions are in millimetres. The information contained on this page was correct at date of issue. Fitting dimensions are provided as a guide only. Some variation may occur due to manufacturing tolerances. We pursue a policy of continuing improvement in design and performance of our products and so reserve the right to change specifications without prior notice.