

Technical Data Information

Product Code: BCLIN16X70

Information: Clinton SE 160x70 WHITE

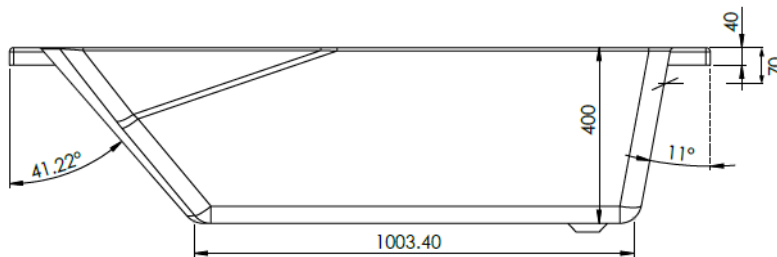
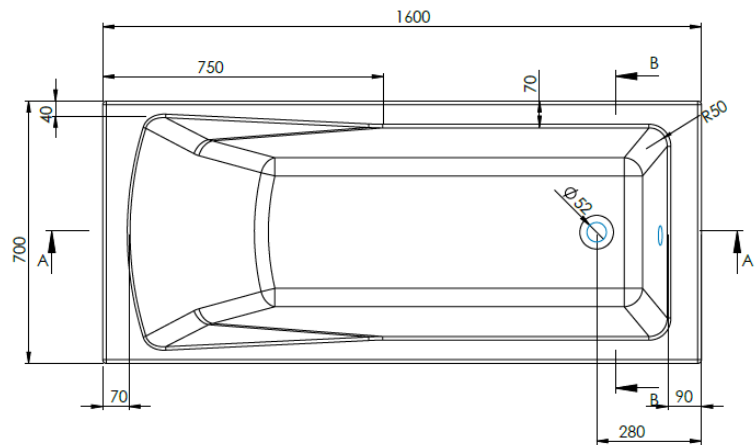
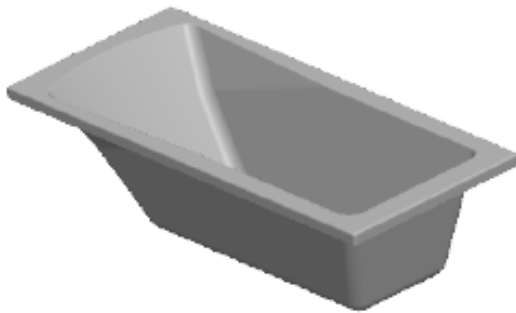
TD Code: 6377 091018 00 ST

Mold No: 6377

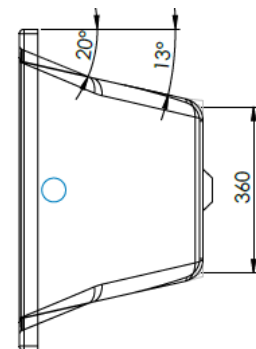
Tolerances: +/- 5mm

Bath Litres – 162l

Overall Dimensions: L: 1600 x W: 700



SECTION A-A
SCALE 1 : 9



SECTION B-B
SCALE 1 : 9

All Dimensions are in millimetres. The information contained on this page was correct at date of issue. Fitting dimensions are provided as a guide only. Some variation may occur due to manufacturing tolerances. We pursue a policy of continuing improvement in design and performance of our products and so reserve the right to change specifications without prior notice.