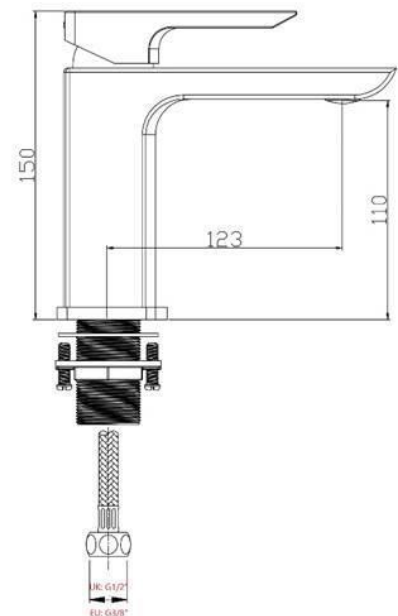
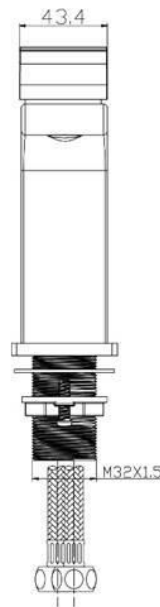


Technical Data Information

Product Code:	ASORHD05K
Information:	Mono Basin Mixer
Construction	Brass Body CuZn40Pb2, EN CW617N (equivalent to BS CZ122) Zinc alloy Handle
Finishes	Black Matt
Product Type	Contemporary
Water Pressure	Min. 0.1 bar, Max. 6.0 bar
Plumbing Systems	Suitable for all plumbing systems
Standards	Complies with BS6920, BS EN200
Certification	CE, WRAS
Cartridge	35mm Citec® Ceramic Disc Cartridge
Aerator	Laminar
Fitting	UK: M10 x 350mm 1/2" BSP Female Flexi Tails . EU: M10x350mm 3/8" BSP Female Flexi Tails.
Packaging	46 x 38 x 34cm / carton (8 boxes / carton)
Guarantee	10 years against manufacturing faults (excluding serviceable parts).
Additional Information	Supplied with G 1 1/4" sprung waste (UK only)
Overall Dimensions:	H: 150 x W: 43.4 x D: 135



Flow Rates (Litres per minute)

System Pressure	0.1 Bar	0.2 Bar	0.3 Bar	0.5 Bar	1.0 Bar	1.5 Bar	2.0 Bar	3.0 Bar	4.0 Bar	5.0 Bar
ASORHD05K	4.3	5.7	-	9.0	12.5	15.1	17.5	21.2	-	-

All Dimensions are in millimetres. The information contained on this page was correct at date of issue. Fitting dimensions are provided as a guide only. Some variation may occur due to manufacturing tolerances. We pursue a policy of continuing improvement in design and performance of our products and so reserve the right to change specifications without prior notice.