

## 760mm x 760mm SQUARE

**SURFACE MATERIAL:** Acrylic Capped ABS

**REINFORCEMENT:** Resin Bonded Stone

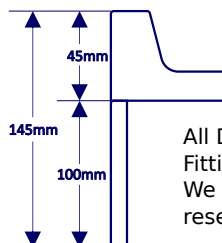
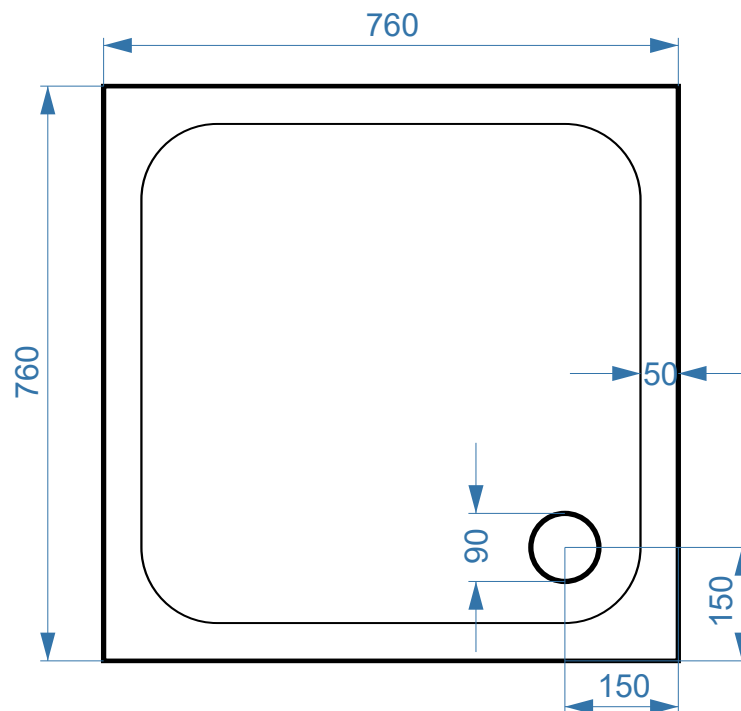
**TRAY HEIGHT:** 45mm

**PLINTH HEIGHT (OPTIONAL):** 100mm

**WEIGHT:** 24kg

**CE CERT:** BS EN 14527 - Class 1 Shower Tray

**COMMODITY CODE:** 39229000



Optional Plinth Kit

All measurement stated in mm to tolerance of +/-5mm



All Dimensions are in millimetres. The information contained on this page was correct at date of issue. Fitting dimensions are provided as a guide only. Some variation may occur due to manufacturing tolerances. We pursue a policy of continuing improvement in design and performance of our products and so reserve the right to change specifications without prior notice.