

900mm x 900mm QUADRANT (Corner Outlet)

SURFACE MATERIAL: Acrylic Capped ABS

REINFORCEMENT: Resin Bonded Stone

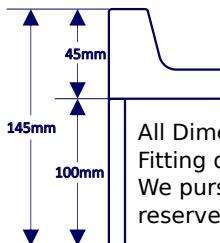
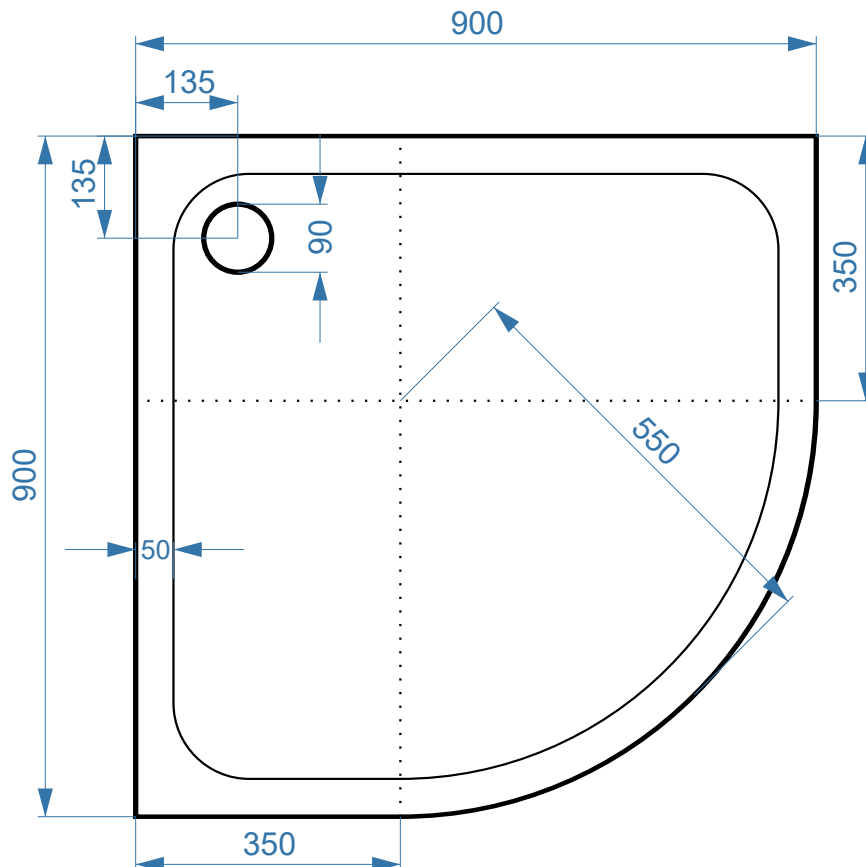
TRAY HEIGHT: 45mm

PLINTH HEIGHT (OPTIONAL): 100mm

WEIGHT: 32kg

CE CERT: BS EN 14527 - Class 1 Shower Tray

COMMODITY CODE: 39229000



Optional Plinth Kit

All measurement stated in mm to tolerance of +/-5mm

All Dimensions are in millimetres. The information contained on this page was correct at date of issue. Fitting dimensions are provided as a guide only. Some variation may occur due to manufacturing tolerances. We pursue a policy of continuing improvement in design and performance of our products and so reserve the right to change specifications without prior notice.