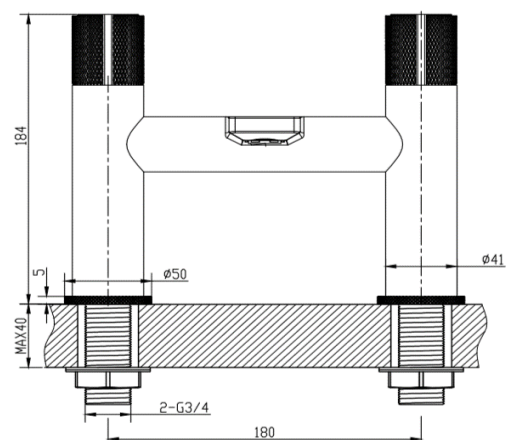
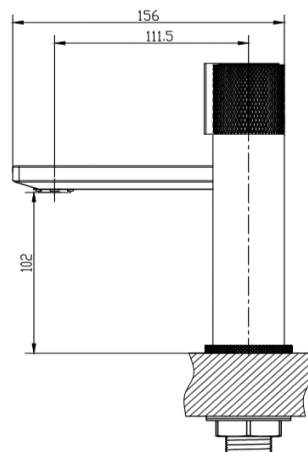


TECHNICAL DATA SHEET

ERLA03BB Deck Mounted Bath Filler

Barcode	-
Product Code	ERLA03BB
Construction	Brass Body (CuZn40Pb2), EN CW617N (equivalent to BS CZ122) Zinc alloy Handle
Finishes	Brushed Brass
Product Type	Contemporary
Water Pressure	Min. 0.5 bar, Max. 6.0 bar
Plumbing Systems	Suitable for all plumbing systems
Standards	Complies with BS5412, BS EN200
Certification	-
Cartridge	1/4 Turn 3/4" Ceramic Disc Valves
Aerator	Spout Aerator
Fitting	Brass G ³ / ₄ " BSP tails
Packaging	50 x 29.5 x 38cm / Carton (4 boxes), Dimension: 28 x 24 x 18cm / box Weight: 2.70Kg / box
Guarantee	10 years against manufacturing faults (excluding serviceable parts)



Flow Rates (Litres per minute)

System Pressure	0.1 Bar	0.2 Bar	0.3 Bar	0.5 Bar	1.0 Bar	1.5 Bar	2.0 Bar	3.0 Bar	4.0 Bar	5.0 Bar
ERLA03BB	7.5	10.0	12.0	15.4	21.6	26.4	30.5	37.4	43.3	-

The information contained on this page was correct at date of issue. Fitting dimensions are provided as a guide only. Some variation may occur due to manufacturing tolerances. We pursue a policy of continuing improvement in design and performance of our products and so reserve the right to change specifications without prior notice.