

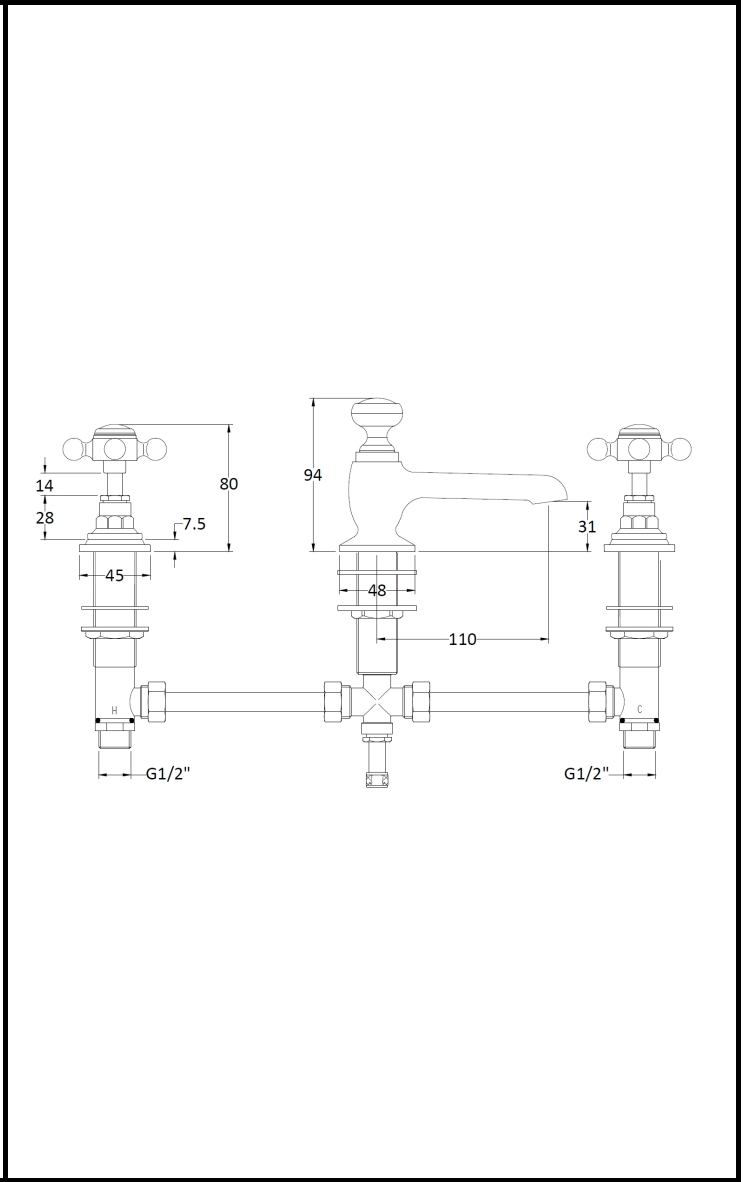
# B A Y S W A T E R

London W.2

**CODE:** BAYT107

**DESCRIPTION:** 3Th Deck Basin Mixer/Xhead/Hex Collar

**CATEGORY:** Taps



PRODUCT DIMENSIONS				
Height (mm)	Width (mm)	Depth (mm)	Length (mm)	Nett Wgt Kg
94	246	140		2.9

PACKAGING DIMENSIONS			
Height (mm)	Width (mm)	Depth (mm)	Gross Wgt Kg
430	150	75	2.9

PACKAGING DATA			
Box Colour	White Cardboard Box		
Box Qty	1	Label Colour	White Label
Label Size	100 x 50	Label Qty	2

OUTER BOX DIMENSIONS (If Applicable)				
Height (mm)	Width (mm)	Depth (mm)	Length (mm)	Gross Wgt Kg
370	350	405		24
Barcode	5055275889053			

PRODUCT DETAILS	
Country of Origin	United Kingdom
Fitting Instruction	Yes
Product Material	Brass
Control Type	Manual
Waste Included	Waste Included
WRAS Approval	No Approval No. N/A
Operating Pressure (bar)	0.1
Valve/Cartridge Type	1/4 Turn Ceramic Disc

Colour/Finish	Chrome
Mount Type	Deck
Waste Type	Pop-Up
Flow Rates (L/min)	0.1 5.6 0.5 1 20.2 2 29 3 35.4
Pipe Size	15 mm (1/2" Bsp)
Pipe Centres	N/A