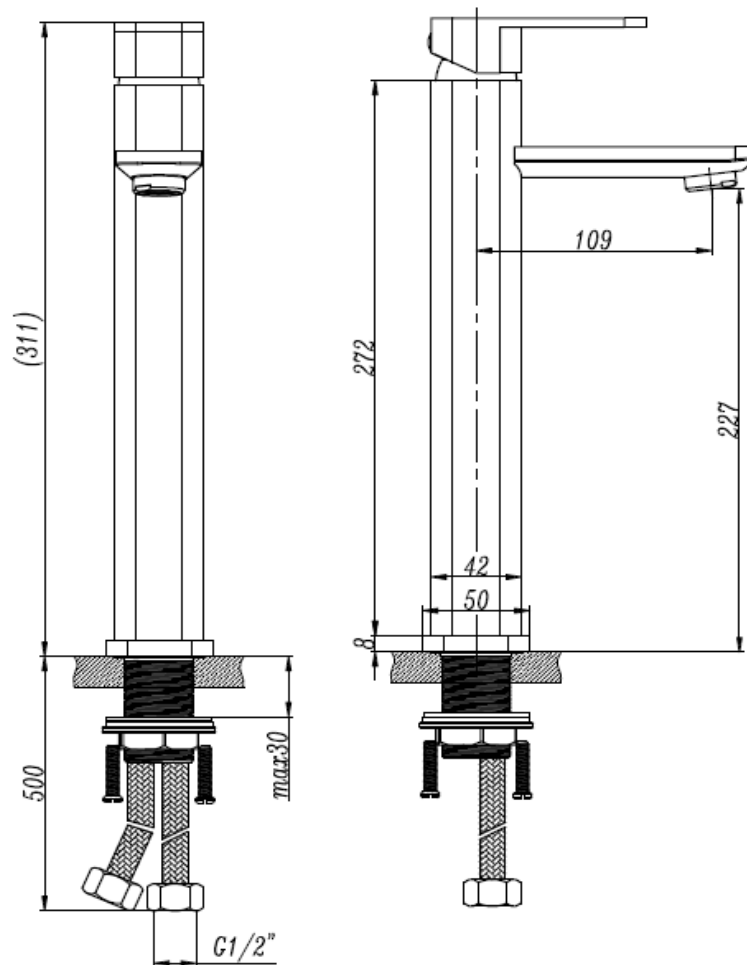


SPECIFICATION/CODE REFERENCE

Please use the reference codes shown below:

RAK71021

MATERIAL	Brass, Chrome Plating
WEIGHT	2 kg
THICKNESS	Chrome 0.3 UM, Nickle 6019 UM
PRESSURE	Mininium 0.2 LP2
WASTE	require suitable basin waste
WARRANTY	15 Years



Dimensions: All measurements are in millimeters and are subject to normal manufacturing variations.

Note: Due to a continuing development programme to improve design and performance, the manufacturer reserves all rights to vary specifications without prior informations. Please note accessories are for photographic use only.