

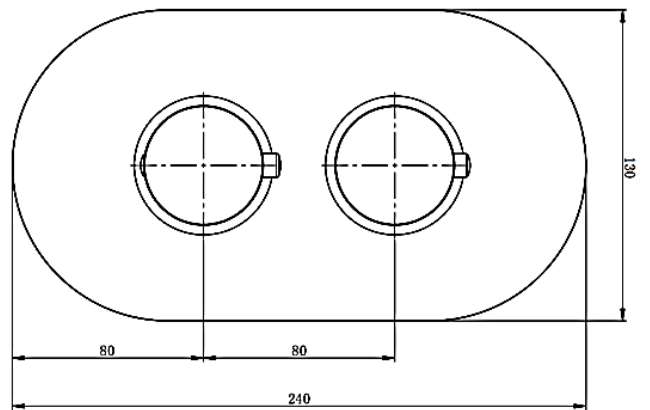
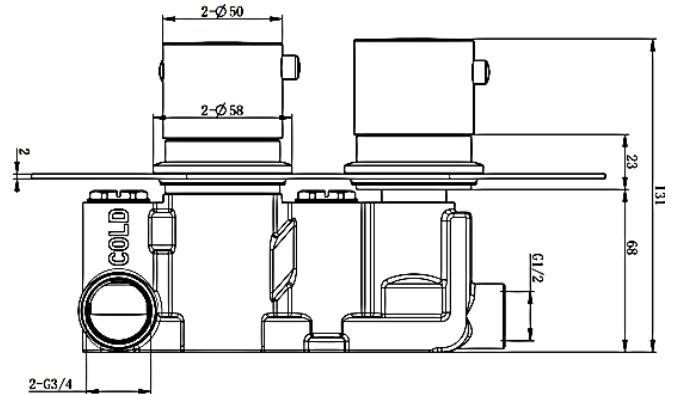
## Technical Data Information

Round Chrome Twin Single Outlet  
AVCVQ01



# R.T. LARGE

ESTABLISHED 1969



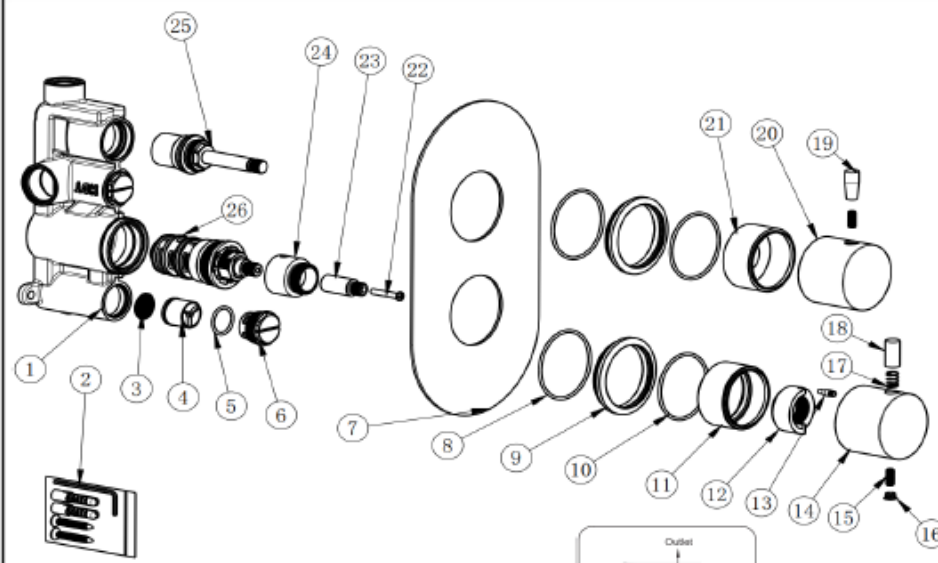
## INFORMATION

<b>Construction</b>	Brass Body (CC757S) equivalent to EN CuZn39Pb2Al-C; SS201 Stainless steel Face plate; Zinc-alloy Handles
<b>Finishes</b>	Chrome plated to BS EN 248
<b>Product Type</b>	Contemporary
<b>Water Pressure</b>	Min. 0.5 bar, Max. 5.0 bar
<b>Plumbing Systems</b>	Suitable for all plumbing systems, Hot and Cold water pressure preferably balanced; Max. supply pressure differential requirement no greater than 5:1
<b>Standards</b>	Complies with BSEN 1111
<b>Certification</b>	WRAS approval and certification
<b>Cartridge</b>	Thermostatic cartridge & Ceramic disc valve
<b>Check valve</b>	DN20 check valve
<b>Fitting</b>	Inlet: Two Brass G3/4" BSP Female thread (Hot and Cold) Outlet: One Brass G1/2" BSP Female thread
<b>Packaging</b>	39 x 29 x 33cm / carton (4 boxes), Dimension: 37.5 x 13.5 x 15.5cm / box; Weight: 2.38Kg / box
<b>Guarantee</b>	10 years against manufacturing faults (excluding serviceable parts)
<b>Additional Information</b>	1. Temperature: Pre-set 38°C, with push button override to 48°C 2. Automatic shut off in the event of hot or cold water supply failure 3. Easy accessible check valve 4. Interchange design for horizontal & vertical installation 5. Anti-Calc Thermostatic cartridge for easy maintenance

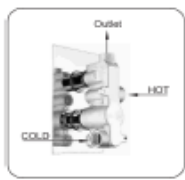
All Dimensions are in millimetres. The information contained on this page was correct at date of issue. Fitting dimensions are provided as a guide only. Some variation may occur due to manufacturing tolerances. We pursue a policy of continuing improvement in design and performance of our products and so reserve the right to change specifications without prior notice.

# R.T. LARGE

ESTABLISHED 1969



NO.	PART DESCRIPTION	QTY
1	BRASS VALVE BODY	1
2	ST5*35 FIXING KIT BAG	1
3	FILTER WASHER	2
4	DN20 CHECK VALVE	2
5	Ø18*2 NBR O-RING	2
6	CHECK VALVE NUT	2
7	240*130*2 SS201 OVAL FACE PLATE	1
8	Ø48*2 NBR O-RING	2
9	Ø60*9.2 ZINC-ALLOY FACE PLATE RING	2
10	Ø40.6*2.2 NBR O-RING	2
11	THERMO HANDLE COLLAR	1
12	Ø34*18 POM THERMO STOP RING	1
13	Ø4.5*14 SS304 PUSH BUTTON PIN	1
14	ZINC-ALLOY THERMO HANDLE	1
15	HANDLE GRUB SCREW	2
16	Ø7.7*6 ABS COVER CAP	1
17	Ø8*0.5*11 SS304 PUSH BUTTON SPRING	1
18	Ø9.8*20.5 BRASS SAFETY PUSH BUTTON	1
19	Ø9.8*22.5 BRASS HANDLE BUTTON	1
20	Ø50*40 ZINC-ALLOY ON/OFF HANDLE	1
21	ON/OFF HANDLE COLLAR	1
22	M4*25 SS304 CROSS HEAD SCREW	1
23	Ø12.6*33 BRASS CONNECTOR	1
24	Ø29*26.7 BRASS CARTRIDGE COVER	1
25	29*G3/4 ON/OFF CERAMIC DISC VALVE	1
26	PPA THERMOSTATIC CARTRIDGE	1



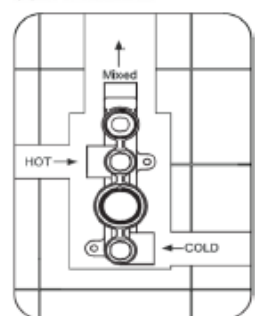
**Installation**

Prepare pipes in wall to connect to shower, with cold on the right.

Ensure these pipes are flushed before connecting the mixer.

A 1/2" male fitting will be required (not supplied) to connect the outlet pipe to the mixer.

Two 3/4" male fittings will be required (not supplied) to connect the supply pipes to the mixer.



Exploded Drawings			Material:	Assembly	Size:	A4
(Date:D/M/Y)			Scale:	None	Issue No:	01
Drawn by:	Konstantine	28/06/2021				
Checked by:	Lee	28/06/2021				
Approved by:	T. K.	28/06/2021				
Drawing Name:						



## Flow Rates (Litres per minute)

System Pressure	0.1 Bar	0.2 Bar	0.3 Bar	0.5 Bar	1.0 Bar	1.5 Bar	2.0 Bar	3.0 Bar	4.0 Bar	5.0 Bar
	5.8	7.4	8.7	11.1	15.5	18.9	21.8	26.5	30.5	33.8

All Dimensions are in millimetres. The information contained on this page was correct at date of issue. Fitting dimensions are provided as a guide only. Some variation may occur due to manufacturing tolerances. We pursue a policy of continuing improvement in design and performance of our products and so reserve the right to change specifications without prior notice.