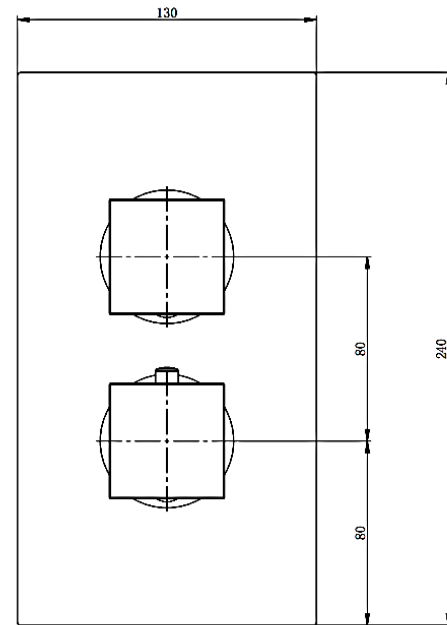
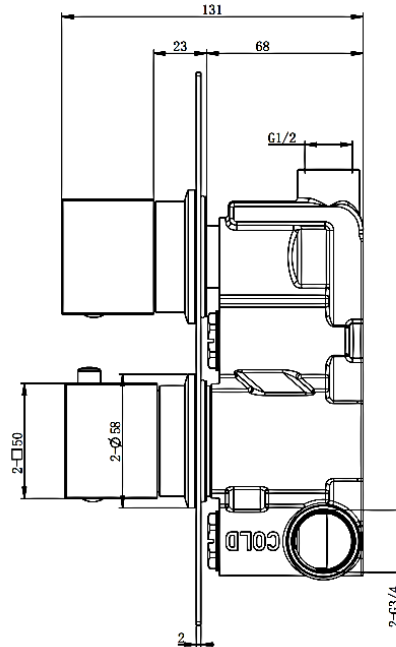


Technical Data Information

Square Black Twin Single Outlet
AVCVQ02K

R.T. LARGE

ESTABLISHED 1969



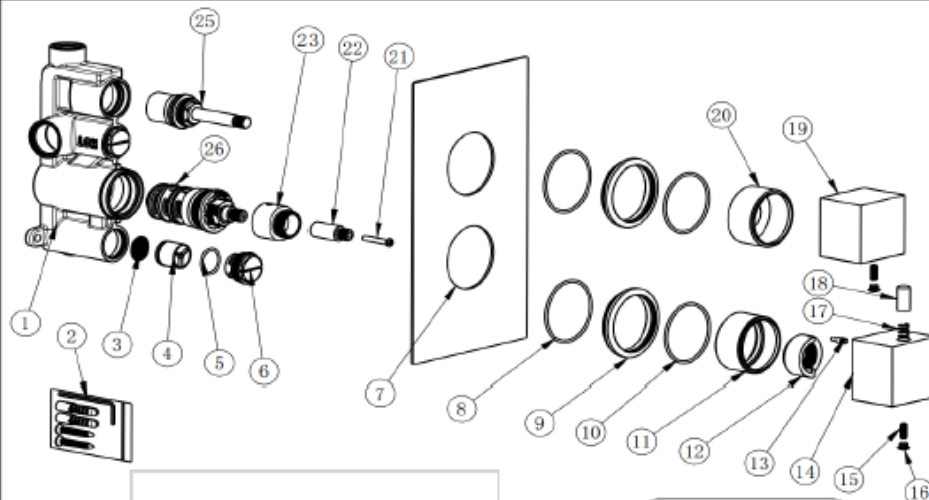
INFORMATION

Construction	Brass Body; Stainless steel face plate; Zinc-alloy handles
Finishes	Matt Black/ Electroplating Finish
Product Type	Contemporary
Water Pressure	Min. 0.2 bar (handset) 0.5 bar (shower head), Max. 6.0 bar
Plumbing Systems	Suitable for all plumbing systems, Hot and Cold water pressure preferably balanced Max. supply pressure differential requirement no greater than 5:1
Certification	WRAS approval and certification
Cartridge	Thermostatic cartridge & Ceramic disc valve
Check valve	DN20 check valve
Fitting	Inlet: Two Brass G3/4" BSP Female thread (Hot and Cold) Outlet: One Brass G1/2" BSP Female thread
Packaging	39 x 29 x 33cm / carton (4 boxes), Dimension: 37.5 x 13.5 x 15.5cm / box; Weight: 2.50Kg / box
Guarantee	5 years against manufacturing faults (excluding serviceable parts)
Additional Information	1. Temperature: Pre-set 38°C, with push button override to 48°C 2. Automatic shut off in the event of hot or cold water supply failure 3. Easy accessible check valve 4. Interchange design for horizontal & vertical installation 5. Anti-Calc thermostatic cartridge for easy maintenance 6. Durable electronic plating

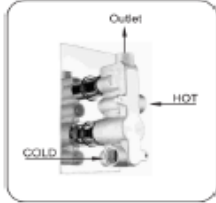
All Dimensions are in millimetres. The information contained on this page was correct at date of issue. Fitting dimensions are provided as a guide only. Some variation may occur due to manufacturing tolerances. We pursue a policy of continuing improvement in design and performance of our products and so reserve the right to change specifications without prior notice.

R.T. LARGE

ESTABLISHED 1969



NO.	PART DESCRIPTION	QTY
1	BRASS VALVE BODY	1
2	ST5*35 FIXING KIT BAG	1
3	FILTER WASHER	2
4	DN20 CHECK VALVE	2
5	Ø18*2 NBR O-RING	2
6	CHECK VALVE NUT	2
7	240*130*2 SS201 S/STEEL FACE PLATE	1
8	Ø48*2 NBR O-RING	2
9	Ø60*9.2 ZINC-ALLOY FACE PLATE RING	2
10	Ø40.6*2.2 NBR O-RING	2
11	THERMO HANDLE COLLAR	1
12	Ø34*18 POM THERMO STOP RING	1
13	Ø4.5*14 SS304 PUSH BUTTON PIN	1
14	50*50*40 ZINC-ALLOY THERMO HANDLE	1
15	HANDLE GRUB SCREW	2
16	Ø7.7*6 ABS COVER CAP	2
17	Ø8*0.5*11 SS304 PUSH BUTTON SPRING	1
18	Ø9.8*20.5 BRASS SAFETY PUSH BUTTON	1
19	50*50*40 ZINC-ALLOY ON/OFF HANDLE	1
20	ON/OFF HANDLE COLLAR	1
21	M4*25 SS304 CROSS HEAD SCREW	1
22	Ø12.6*33 BRASS CONNECTOR	1
23	Ø29*26.7 BRASS CARTRIDGE COVER	1
25	29*G3/4 ON/OFF CERAMIC DISC VALVE	1
26	PPA THERMOSTATIC CARTRIDGE	1



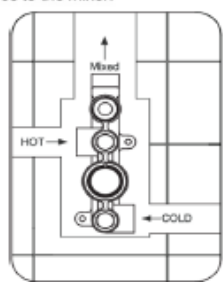
Installation

Prepare pipes in wall to connect to shower, with cold on the right.

Ensure these pipes are flushed before connecting the mixer.

A 1/2" male fitting will be required (not supplied) to connect the outlet pipe to the mixer.

Two 3/4" male fittings will be required (not supplied) to connect the supply pipes to the mixer.



Alfred Victoria Exploded Drawings			Material:	Assembly	Size:	A4
(Date:D/M/Y)			Scale:	None	Issue No:	01
Drawn by:	Konstantine	28/06/2021				
Checked by:	Lee	28/06/2021				
Approved by:	T. K.	28/06/2021				
Drawing Name:						



Flow Rates (Litres per minute)

System Pressure	0.1 Bar	0.2 Bar	0.3 Bar	0.5 Bar	1.0 Bar	1.5 Bar	2.0 Bar	3.0 Bar	4.0 Bar	5.0 Bar
	5.8	7.4	8.7	11.1	15.5	18.9	21.8	26.5	30.5	33.8

All Dimensions are in millimetres. The information contained on this page was correct at date of issue. Fitting dimensions are provided as a guide only. Some variation may occur due to manufacturing tolerances. We pursue a policy of continuing improvement in design and performance of our products and so reserve the right to change specifications without prior notice.