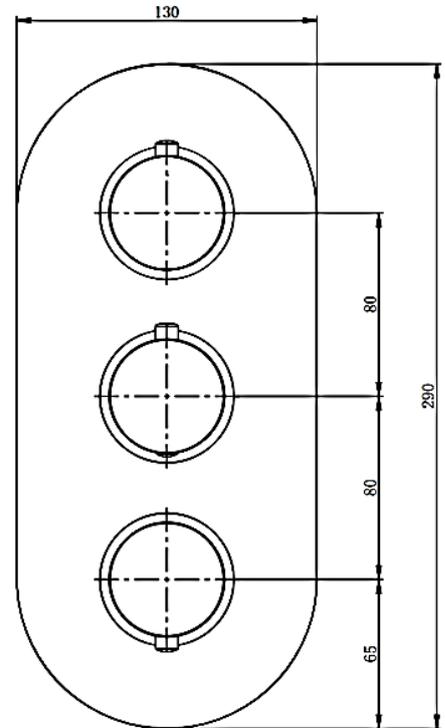
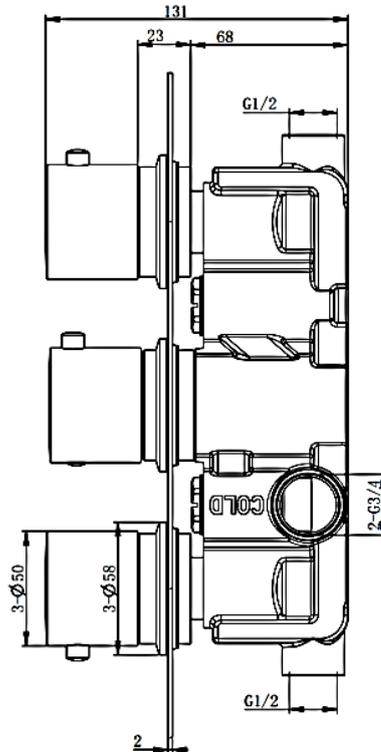


Technical Data Information

Round Chrome Triple Two Outlet
AVCVQ10

R.T. LARGE

ESTABLISHED 1969



INFORMATION

Construction
Finishes
Product Type
Water Pressure
Plumbing Systems

Certification
Cartridge
Check valve
Fitting

Packaging

Guarantee
Additional Information

Brass Body; Stainless steel Face plate; Zinc-alloy Handles

Chrome

Contemporary

Min. 0.2 bar (handset) 0.5 bar (shower head), Max. 6.0 bar

Suitable for all plumbing systems, Hot and Cold water pressure preferably balanced

Max. supply pressure differential requirement no greater than 5:1

WRAS approval and certification

Thermostatic cartridge and Ceramic disc valves

DN20 check valve

Inlet: Two Brass G3/4" BSP Female thread (Hot and Cold)

Outlet: Two Brass G1/2" BSP Female thread

44 x 35 x 33cm / carton (4 boxes), Dimension: 33.5 x 21 x 15.5cm / box;

Weight: 3.00Kg / box

5 years against manufacturing faults (excluding serviceable parts)

1. Temperature: Pre-set 38°C, with push button override to 48°C

2. Automatic shut off in the event of hot or cold water supply failure

3. Easy accessible check valve

4. Interchange design for horizontal & vertical installation

5. Anti-Calc thermostatic cartridge for easy maintenance

6. Durable electronic plating

All Dimensions are in millimetres. The information contained on this page was correct at date of issue. Fitting dimensions are provided as a guide only. Some variation may occur due to manufacturing tolerances. We pursue a policy of continuing improvement in design and performance of our products and so reserve the right to change specifications without prior notice.

R.T. LARGE

ESTABLISHED 1969

NO.	PART DESCRIPTION	QTY
1	BRASS VALVE BODY	1
2	ST5*35 FIXING KIT BAG	1
3	Ø29*G3/4 CERAMIC DISC VALVE (RED)	1
4	Ø48*2 NBR O-RING	3
5	290*130*2 SS201 OVAL FACE PLATE	1
6	Ø60*9.2 ZINC-ALLOY FACE PLATE RING	3
7	Ø40.6*2.2 NBR O-RING	3
8	ON/OFF HANDLE COLLAR	2
9	Ø50*40 ZINC-ALLOY ON/OFF HANDLE	2
10	HANDLE GRUB SCREW	3
11	Ø9.8*22.5 BRASS ON/OFF HANDLE LEVER	2
12	Ø7.7*6 ABS COVER CAP	1
13	Ø50*40 ZINC-ALLOY THERMO HANDLE	1
14	Ø8*0.5*11 SS304 PUSH BUTTON SPRING	1
15	Ø9.8*20.5 BRASS SAFETY PUSH BUTTON	2
16	Ø4.5*14 SS304 PUSH BUTTON PIN	1
17	THERMO HANDLE COLLAR	1
18	Ø34*18 POM THERMO STOP RING	1
19	M4*25 SS304 CROSS HEAD SCREW	1
20	Ø12.6*33 BRASS CONNECTOR	1
21	Ø29*26.7 BRASS CARTRIDGE COVER	1
22	PPA THERMOSTATIC CARTRIDGE	1
23	CHECK VALVE NUT	2
24	Ø18*2 NBR O-RING	2
25	DN20 CHECK VALVE	2
26	STAINLESS STEEL FILTER WASHER	2
27	Ø29*G3/4 CERAMIC DISC VALVE (BLUE)	1

Installation

Prepare pipes in wall to connect to shower, with cold on the right.

Ensure these pipes are flushed before connecting the mixer.

Two 1/2" male fittings will be required (not supplied) to connect the outlet pipes to the mixer.

Two 3/4" male fittings will be required (not supplied) to connect the supply pipes to the mixer.

Exploded Drawings		Material: Assembly	Size: A4
(Date: D/M/Y)		Scale: None	Issue No: 01
Drawn by:	Konstantine	28/06/2021	
Checked by:	Lee	28/06/2021	
Approved by:	T. K.	28/06/2021	
Drawing Name:			



Flow Rates (Litres per minute)

System Pressure	0.1 Bar	0.2 Bar	0.3 Bar	0.5 Bar	1.0 Bar	1.5 Bar	2.0 Bar	3.0 Bar	4.0 Bar	5.0 Bar
	5.7	7.3	8.7	10.9	15.3	18.7	21.5	26.4	30.5	34.1
	5.6	7.3	8.5	10.8	15.1	18.5	21.2	26.1	30.1	33.7

All Dimensions are in millimetres. The information contained on this page was correct at date of issue. Fitting dimensions are provided as a guide only. Some variation may occur due to manufacturing tolerances. We pursue a policy of continuing improvement in design and performance of our products and so reserve the right to change specifications without prior notice.