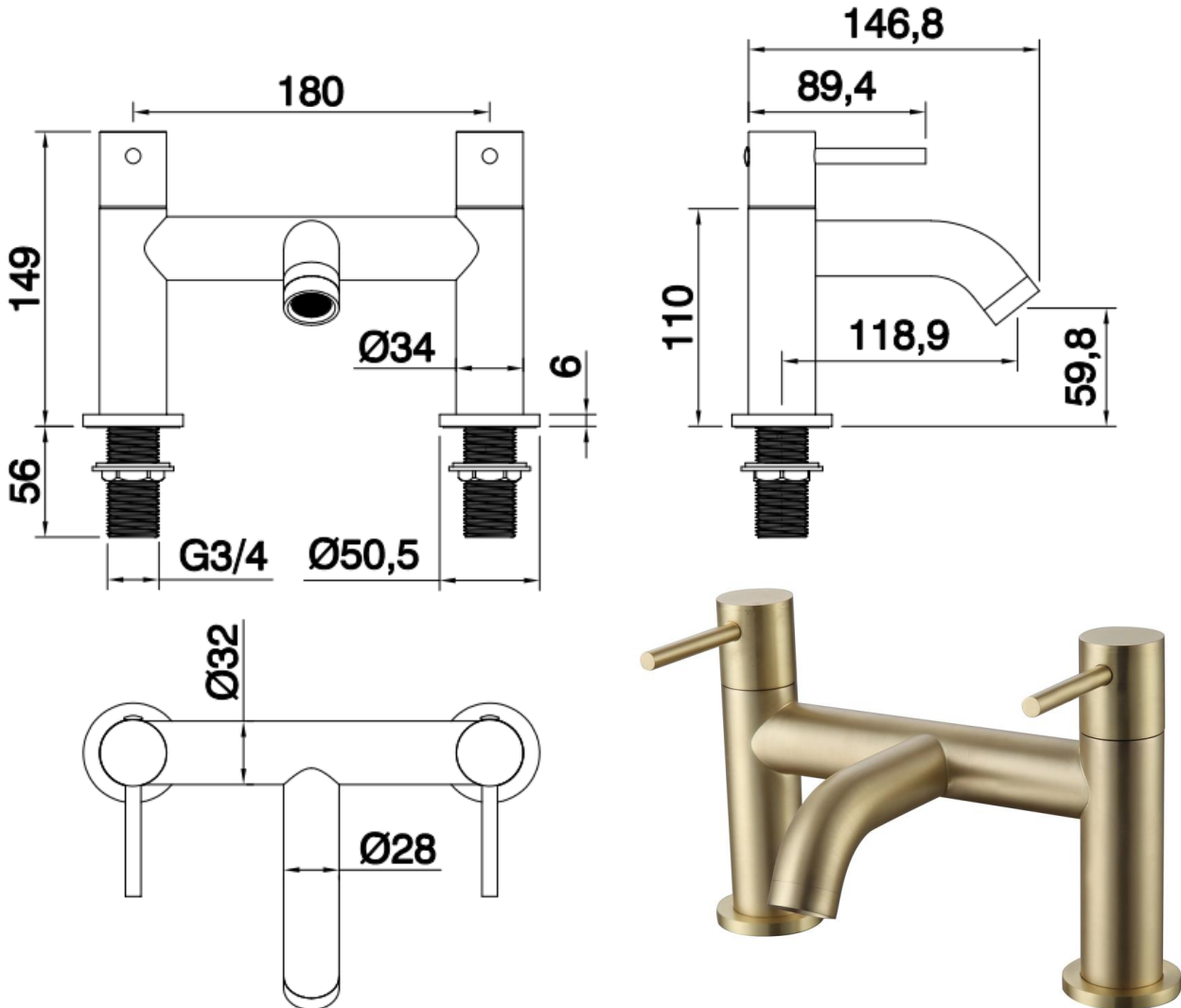


## Technical Data Information

Giro Brushed Brass Bath Filler  
AVG03BB

# R.T. LARGE

ESTABLISHED 1969



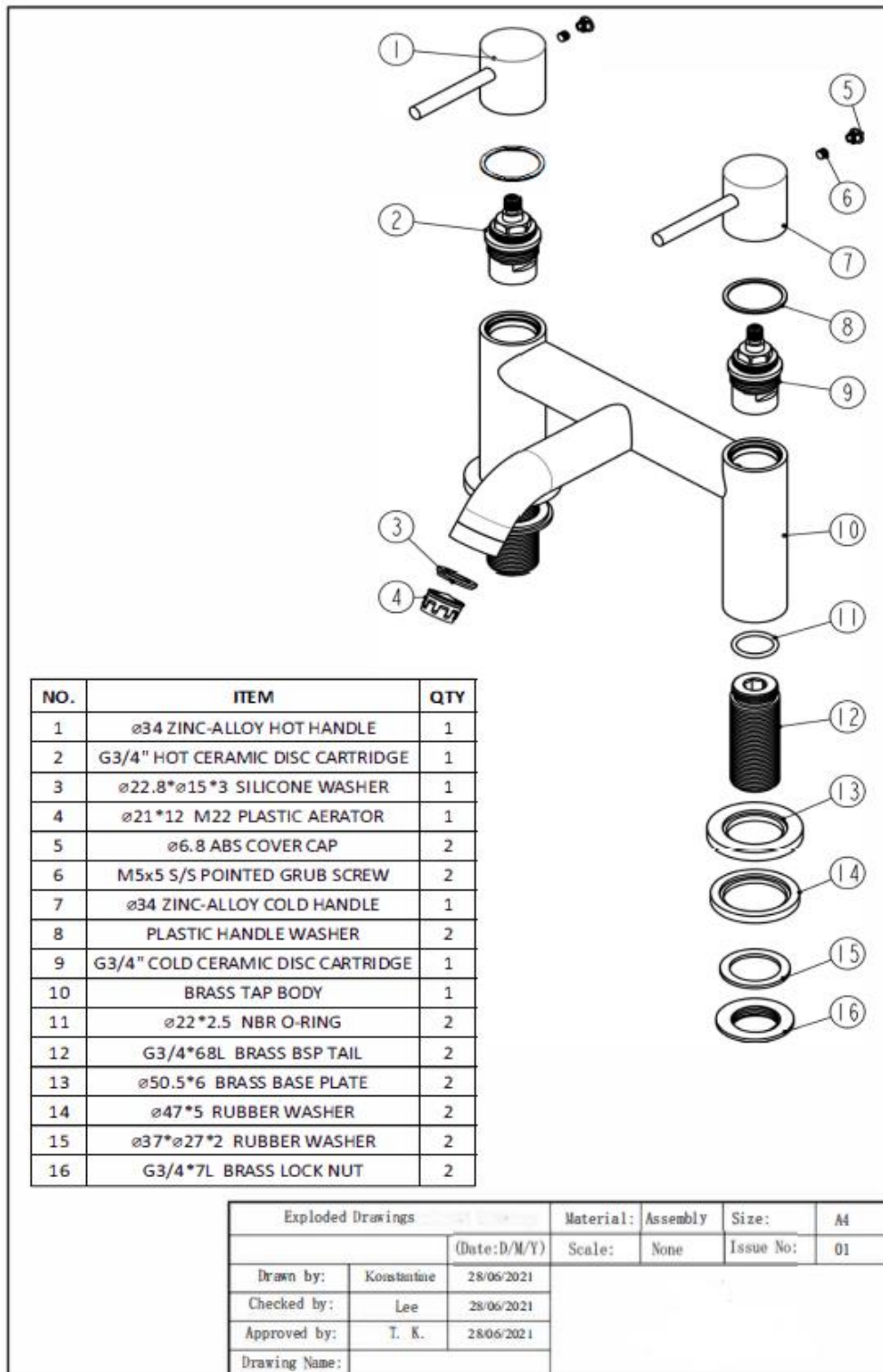
## INFORMATION

<b>Construction</b>	Brass Body (CuZn40Pb2), EN CW617N (equivalent to BS CZ122); Zinc-alloy Handles; Brass Base plates
<b>Finishes</b>	Brushed Brass/ PVD Finish
<b>Product Type</b>	Contemporary
<b>Water Pressure</b>	Min. 1.5 bar, Max. 6.0 bar
<b>Plumbing Systems</b>	Suitable for all plumbing systems, Hot and Cold water pressure preferably balanced Max. supply pressure differential requirement no greater than 5:1
<b>Standards</b>	Complies with BS5412, BS EN200
<b>Certification</b>	WRAS
<b>Aerator</b>	M22 Spout aerator
<b>Cartridge</b>	1/4 Turn 3/4" Ceramic disc valves
<b>Fitting</b>	Brass G3/4" BSP tails
<b>Packaging</b>	49 x 42 x 28.5cm / carton (4 boxes), Dimension: 28 x 24 x 16.5cm / box; Weight: 2.00Kg / box
<b>Guarantee</b>	10 years against manufacturing faults (excluding serviceable parts)

All Dimensions are in millimetres | All Dimensions in mm have a tolerance of  $\pm 1$ mm. The information contained on this page was correct at date of issue. Fitting dimensions are provided as a guide only. Some variation may occur due to manufacturing tolerances. We pursue a policy of continuing improvement in design and performance of our products and so reserve the right to change specifications without prior notice.

# R.T. LARGE

ESTABLISHED 1969



## Flow Rates (Litres per minute)

System Pressure	0.1 Bar	0.2 Bar	0.3 Bar	0.5 Bar	1.0 Bar	1.5 Bar	2.0 Bar	3.0 Bar	4.0 Bar	5.0 Bar
	-	-	-	7.4	10.7	13.4	15.6	19.3	-	-

All Dimensions are in millimetres | All Dimensions in mm have a tolerance of ± 1mm. The information contained on this page was correct at date of issue. Fitting dimensions are provided as a guide only. Some variation may occur due to manufacturing tolerances. We pursue a policy of continuing improvement in design and performance of our products and so reserve the right to change specifications without prior notice.