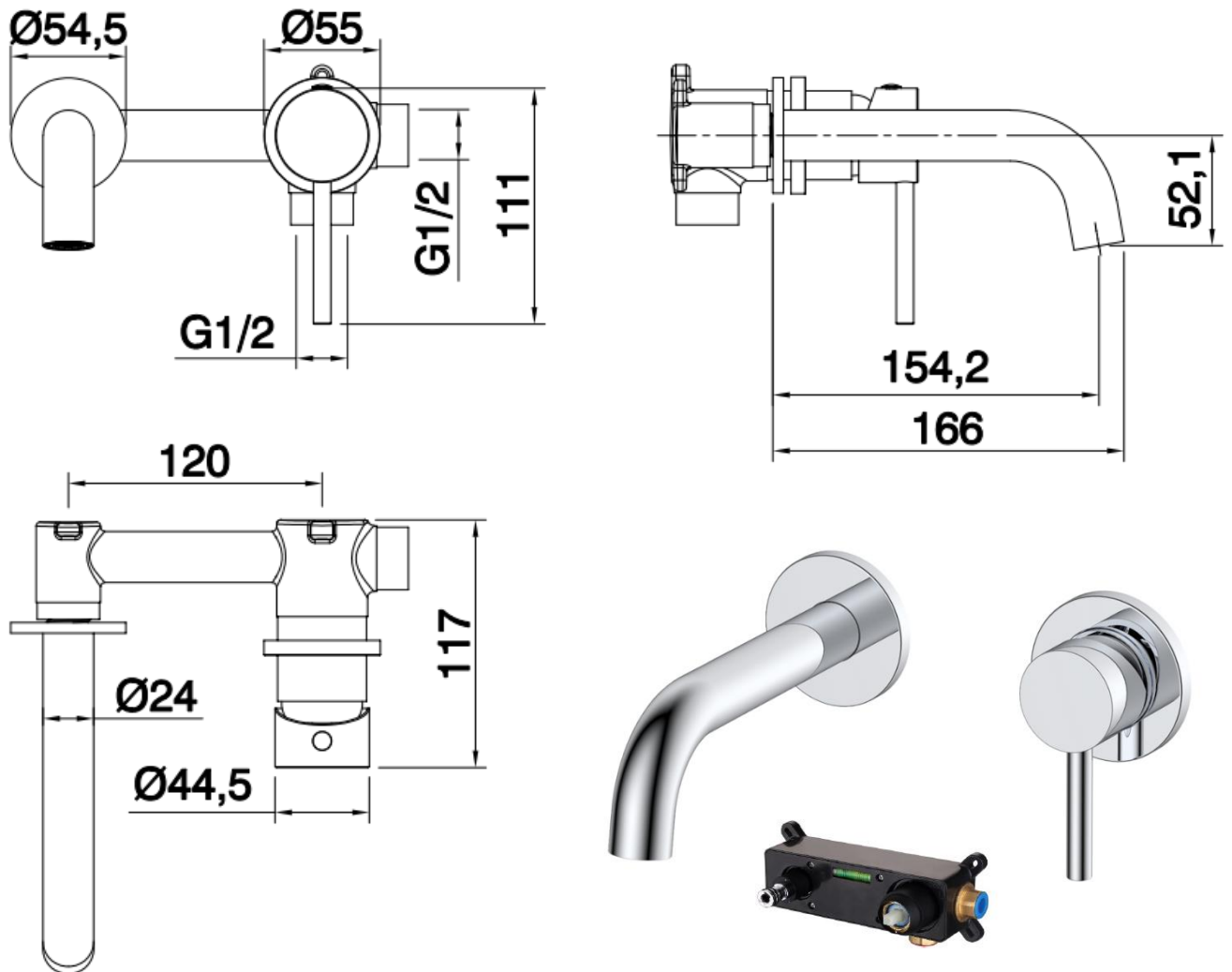


## Technical Data Information

Giro Chrome Wall Mounted Basin Mixer  
AVG18

# R.T. LARGE

ESTABLISHED 1969



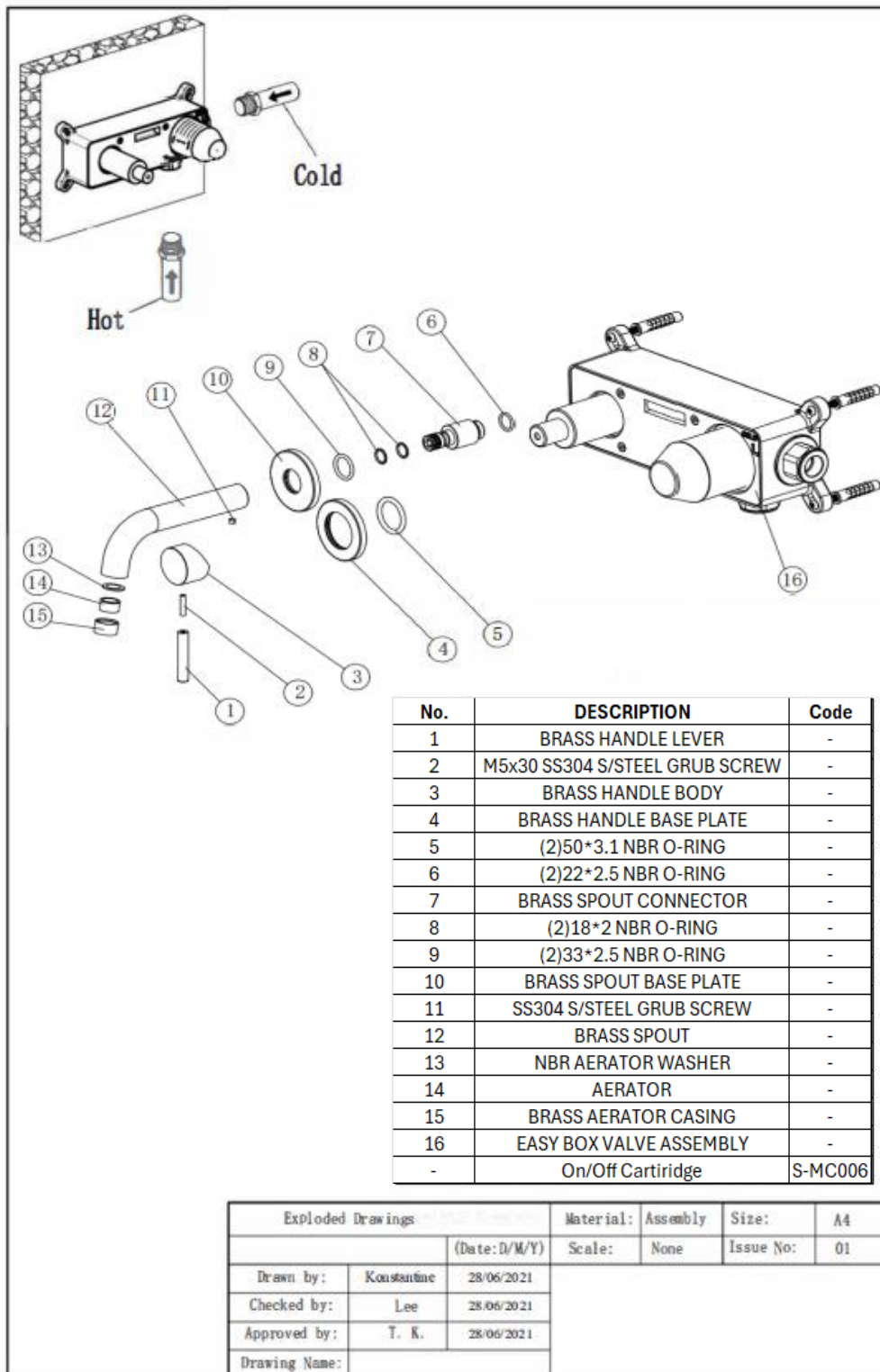
## INFORMATION

<b>Construction</b>	Brass Body, Handle & Base plates (HPb58-2), equivalent to BS CZ121 or CuZn39Pb3 Brass Spout (HPb58-2 + H65), equivalent to BS CZ121 & CZ107
<b>Finishes</b>	Chrome (Ni : 8-12um, Cr : 0.25-0.3um)
<b>Product Type</b>	Contemporary
<b>Water Pressure</b>	Min. 0.5 bar, Max. 6.0 bar
<b>Plumbing Systems</b>	Suitable for all plumbing systems, Hot and Cold water pressure preferably balanced; Max. supply pressure differential requirement no greater than 5:1
<b>Standards</b>	Complies with BS5412, BS EN200
<b>Cartridge</b>	SEDAL WRAS approved 35mm Ceramic disc cartridge
<b>Aerator</b>	Spout aerator
<b>Fitting</b>	EZ-BOX - Two Brass Inlet G½" BSP Female (hot and cold) , One Outlet G½" BSP
<b>Packaging</b>	33 x 31 x 62cm / carton (5 boxes), Dimension: 31 x 29 x 12cm / box; Weight: 2.20Kg / box
<b>Guarantee</b>	10 years against manufacturing faults (excluding serviceable parts)

All Dimensions are in millimetres | All Dimensions in mm have a tolerance of  $\pm 1$ mm. The information contained on this page was correct at date of issue. Fitting dimensions are provided as a guide only. Some variation may occur due to manufacturing tolerances. We pursue a policy of continuing improvement in design and performance of our products and so reserve the right to change specifications without prior notice.

# R.T. LARGE

ESTABLISHED 1969



## Flow Rates (Litres per minute)

System Pressure	0.1 Bar	0.2 Bar	0.3 Bar	0.5 Bar	1.0 Bar	1.5 Bar	2.0 Bar	3.0 Bar	4.0 Bar	5.0 Bar
	1.5	2.2	3.0	4.2	6.4	9.2	12.0	15.8	19.4	22.7

All Dimensions are in millimetres | All Dimensions in mm have a tolerance of  $\pm 1$ mm. The information contained on this page was correct at date of issue. Fitting dimensions are provided as a guide only. Some variation may occur due to manufacturing tolerances. We pursue a policy of continuing improvement in design and performance of our products and so reserve the right to change specifications without prior notice.