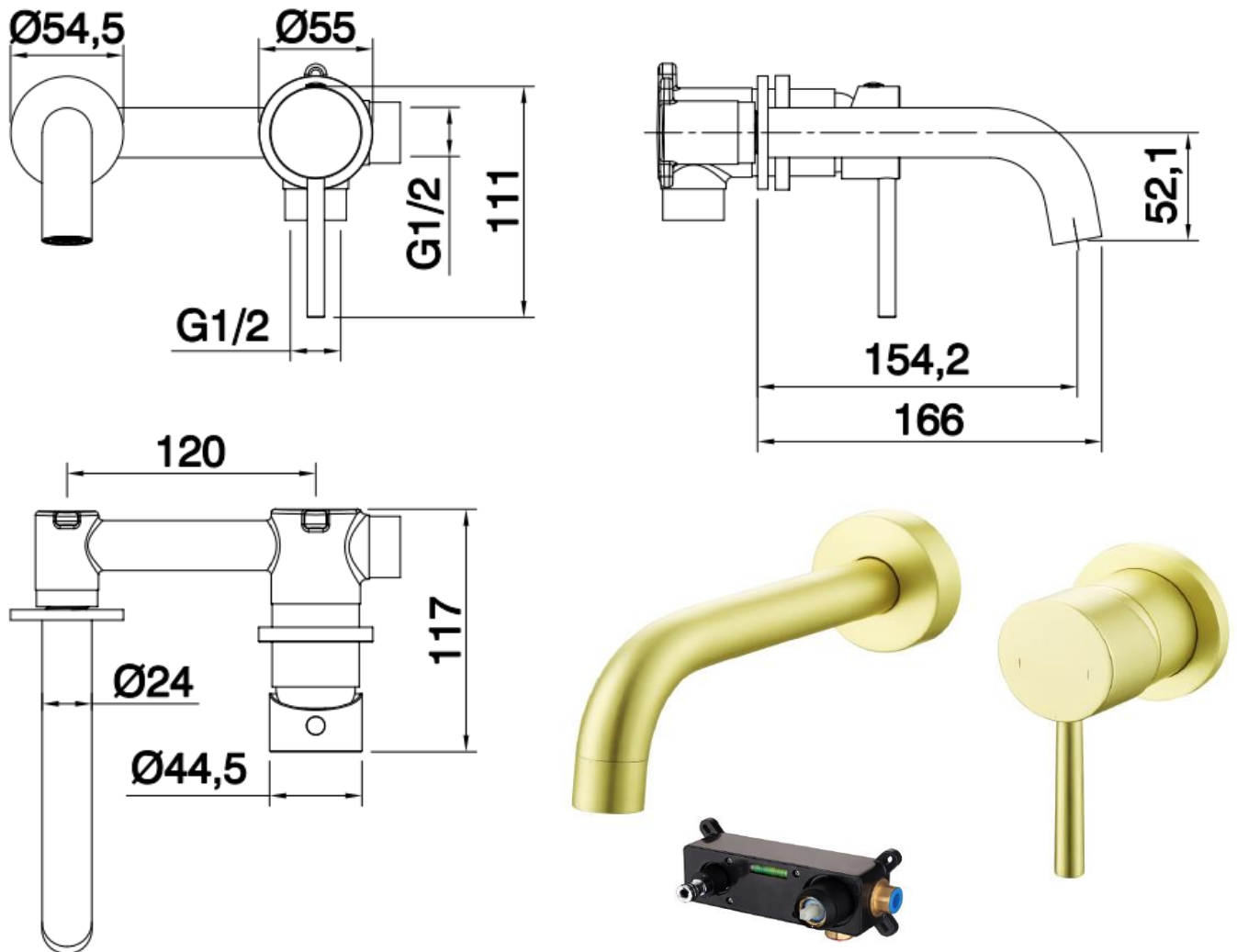


Technical Data Information

Giro Brushed Brass Wall Mounted Basin Mixer
AVG18BB

R.T. LARGE

ESTABLISHED 1969



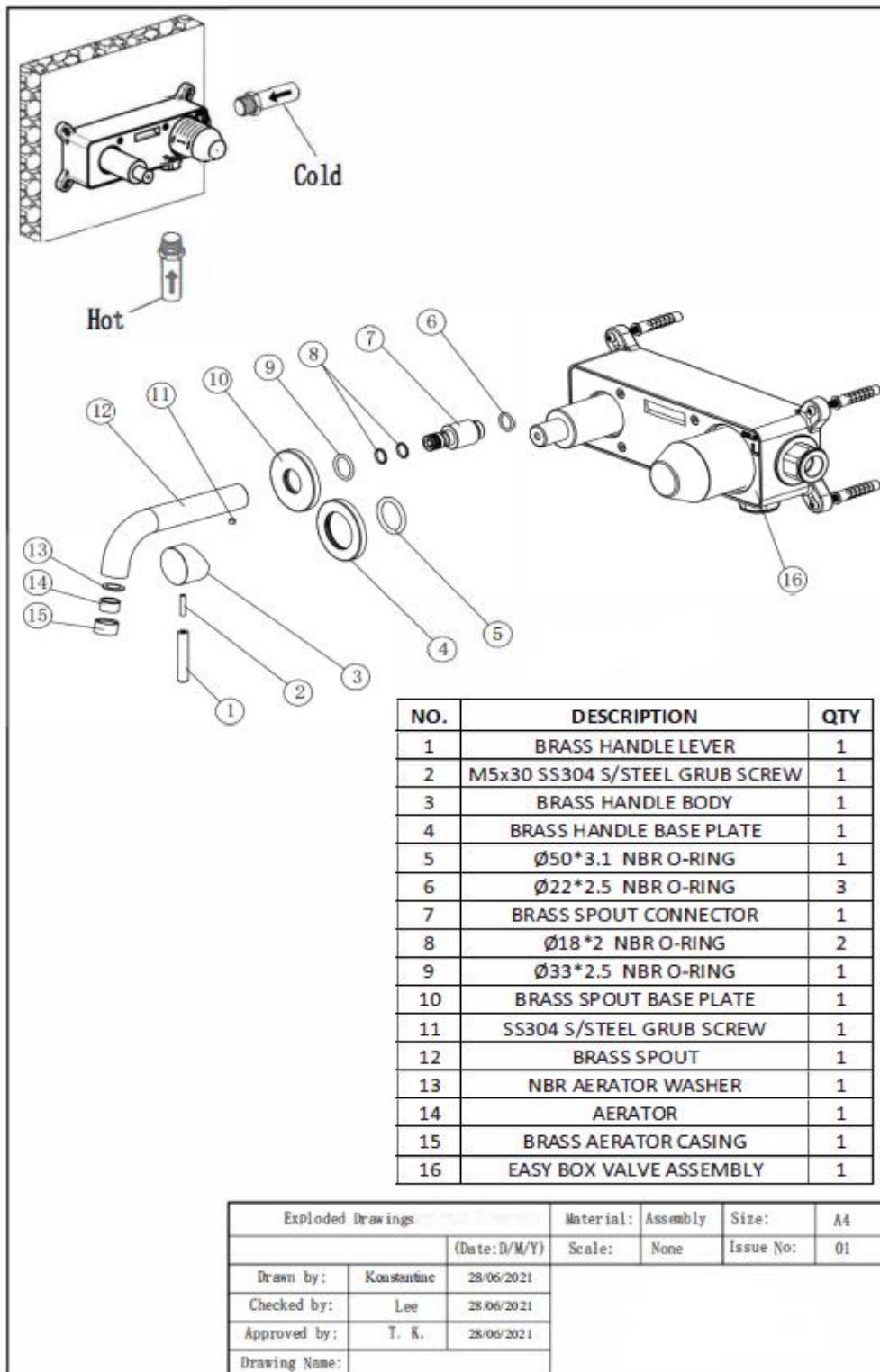
INFORMATION

| | |
|-------------------------|---|
| Construction | Brass Body (CuZn40Pb2), EN CW617N (equivalent to BS CZ122) Zinc-alloy Handle |
| Finishes | Brushed Brass/ PVD Finish |
| Product Type | Contemporary |
| Water Pressure | Min. 0.3 bar, Max. 6.0 bar |
| Plumbing Systems | Suitable for all plumbing systems, preferably balanced Max. supply pressure differential requirement no greater than 5:1 |
| Standards | Complies with BS5412, BS EN200 |
| Cartridge | 40mm Ceramic disc cartridge |
| Aerator | Spout aerator |
| Fitting | Brass G1/2" BSP tail |
| Packaging | 33 x 31 x 62cm / carton (5 boxes), Dimension: 31 x 29 x 12cm / box; Weight: 2.00Kg / box |
| Guarantee | 5 years against manufacturing faults (excluding serviceable parts) |

All Dimensions are in millimetres | All Dimensions in mm have a tolerance of ± 1 mm. The information contained on this page was correct at date of issue. Fitting dimensions are provided as a guide only. Some variation may occur due to manufacturing tolerances. We pursue a policy of continuing improvement in design and performance of our products and so reserve the right to change specifications without prior notice.

R.T. LARGE

ESTABLISHED 1969



Flow Rates (Litres per minute)

| System Pressure | 0.1 Bar | 0.2 Bar | 0.3 Bar | 0.5 Bar | 1.0 Bar | 1.5 Bar | 2.0 Bar | 3.0 Bar | 4.0 Bar | 5.0 Bar |
|-----------------|---------|---------|---------|---------|---------|---------|---------|---------|---------|---------|
| | 2.2 | 2.9 | 3.6 | 4.5 | 6.4 | 7.8 | 9.2 | 11.2 | 12.8 | 14.1 |

All Dimensions are in millimetres | All Dimensions in mm have a tolerance of ± 1 mm. The information contained on this page was correct at date of issue. Fitting dimensions are provided as a guide only. Some variation may occur due to manufacturing tolerances. We pursue a policy of continuing improvement in design and performance of our products and so reserve the right to change specifications without prior notice.