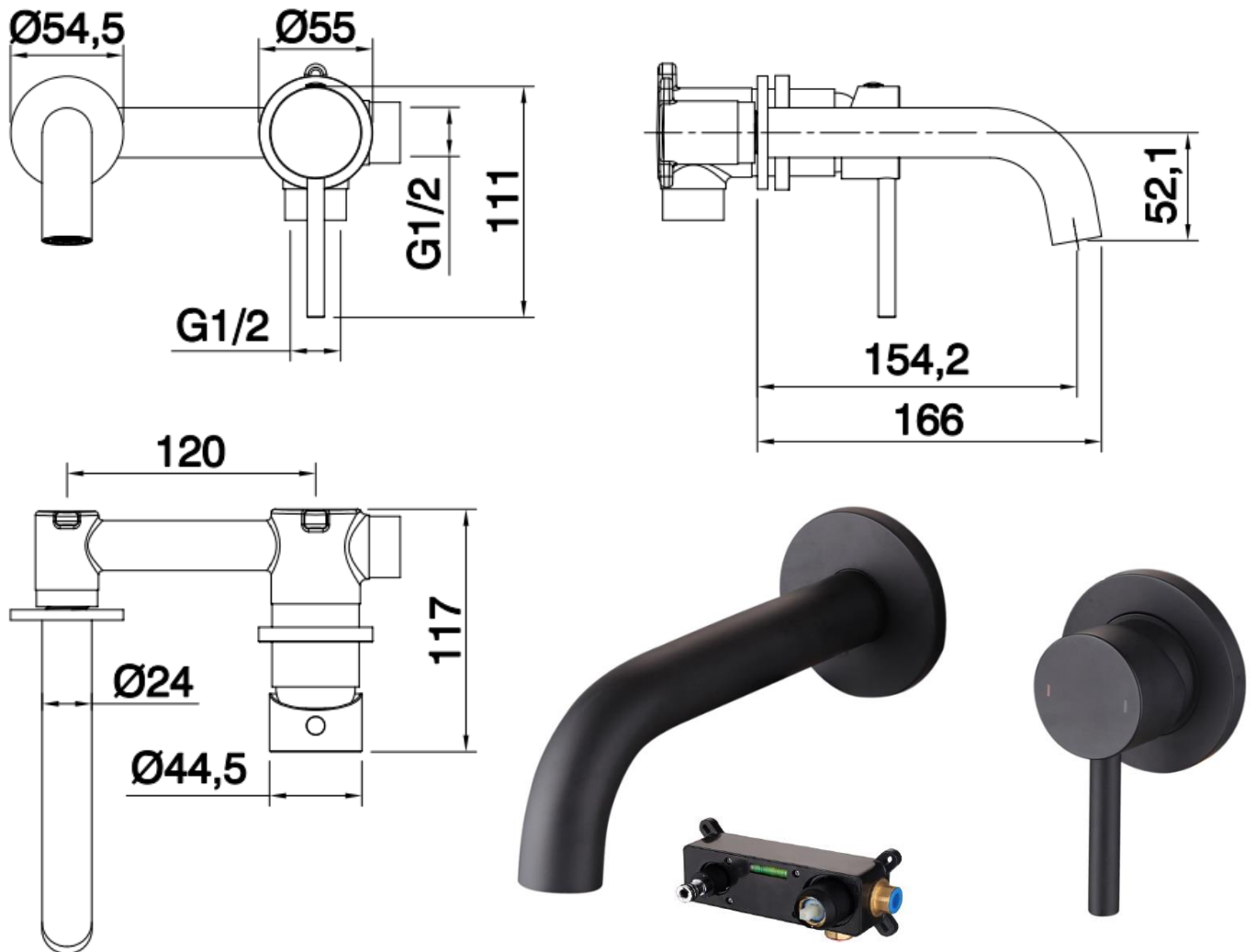


## Technical Data Information

Giro Black Wall Mounted Basin Mixer  
AVG18K

# R.T. LARGE

ESTABLISHED 1969



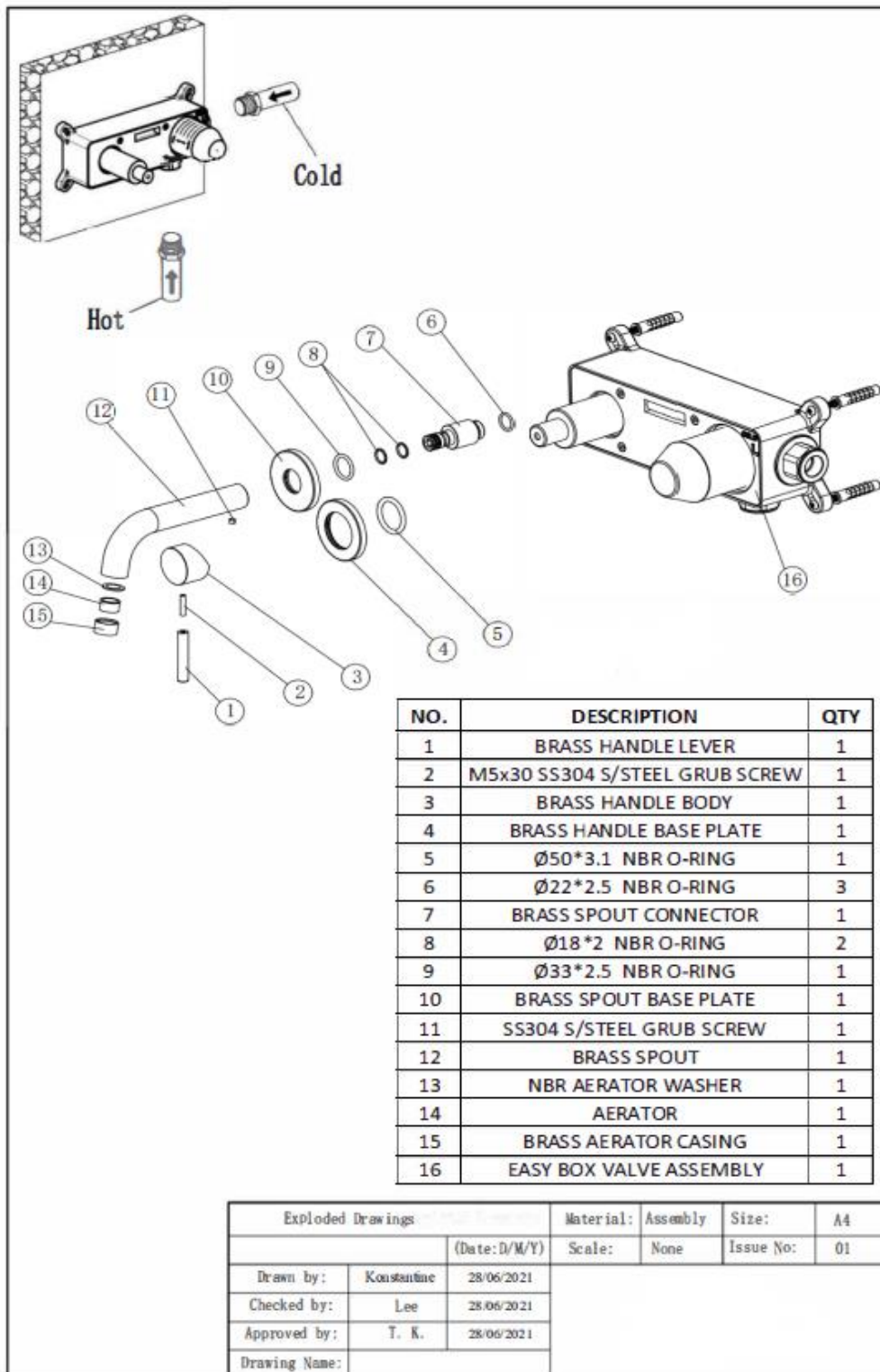
## INFORMATION

<b>Construction</b>	Brass Body, Handle & Base plates (HPb58-2), equivalent to BS CZ121 or CuZn39Pb3 Brass Spout (HPb58-2 + H65), equivalent to BS CZ121 & CZ107
<b>Finishes</b>	Matt Black/ Electroplating Finish
<b>Product Type</b>	Contemporary
<b>Water Pressure</b>	Min. 0.5 bar, Max. 6.0 bar
<b>Plumbing Systems</b>	Suitable for all plumbing systems, Hot and Cold water pressure preferably balanced;Max. supply pressure differential requirement no greater than 5:1
<b>Standards</b>	Complies with BS5412, BS EN200
<b>Cartridge</b>	SEDAL WRAS approved 35mm Ceramic disc cartridge
<b>Aerator</b>	Spout aerator
<b>Fitting</b>	EZ-BOX - Two Brass Inlet G½" BSP Female (hot and cold) , One Outlet G½" BSP
<b>Packaging</b>	33 x 31 x 62cm / carton (5 boxes), Dimension: 31 x 29 x 12cm / box; Weight: 2.20Kg / box
<b>Guarantee</b>	5 years against manufacturing faults (excluding serviceable parts)

All Dimensions are in millimetres | All Dimensions in mm have a tolerance of  $\pm 1$ mm. The information contained on this page was correct at date of issue. Fitting dimensions are provided as a guide only. Some variation may occur due to manufacturing tolerances. We pursue a policy of continuing improvement in design and performance of our products and so reserve the right to change specifications without prior notice.

# R.T. LARGE

ESTABLISHED 1969



## Flow Rates (Litres per minute)

System Pressure	0.1 Bar	0.2 Bar	0.3 Bar	0.5 Bar	1.0 Bar	1.5 Bar	2.0 Bar	3.0 Bar	4.0 Bar	5.0 Bar
	-	-	-	-	6.4	-	12.0	16.1	19.4	22.7

All Dimensions are in millimetres | All Dimensions in mm have a tolerance of  $\pm 1$ mm. The information contained on this page was correct at date of issue. Fitting dimensions are provided as a guide only. Some variation may occur due to manufacturing tolerances. We pursue a policy of continuing improvement in design and performance of our products and so reserve the right to change specifications without prior notice.