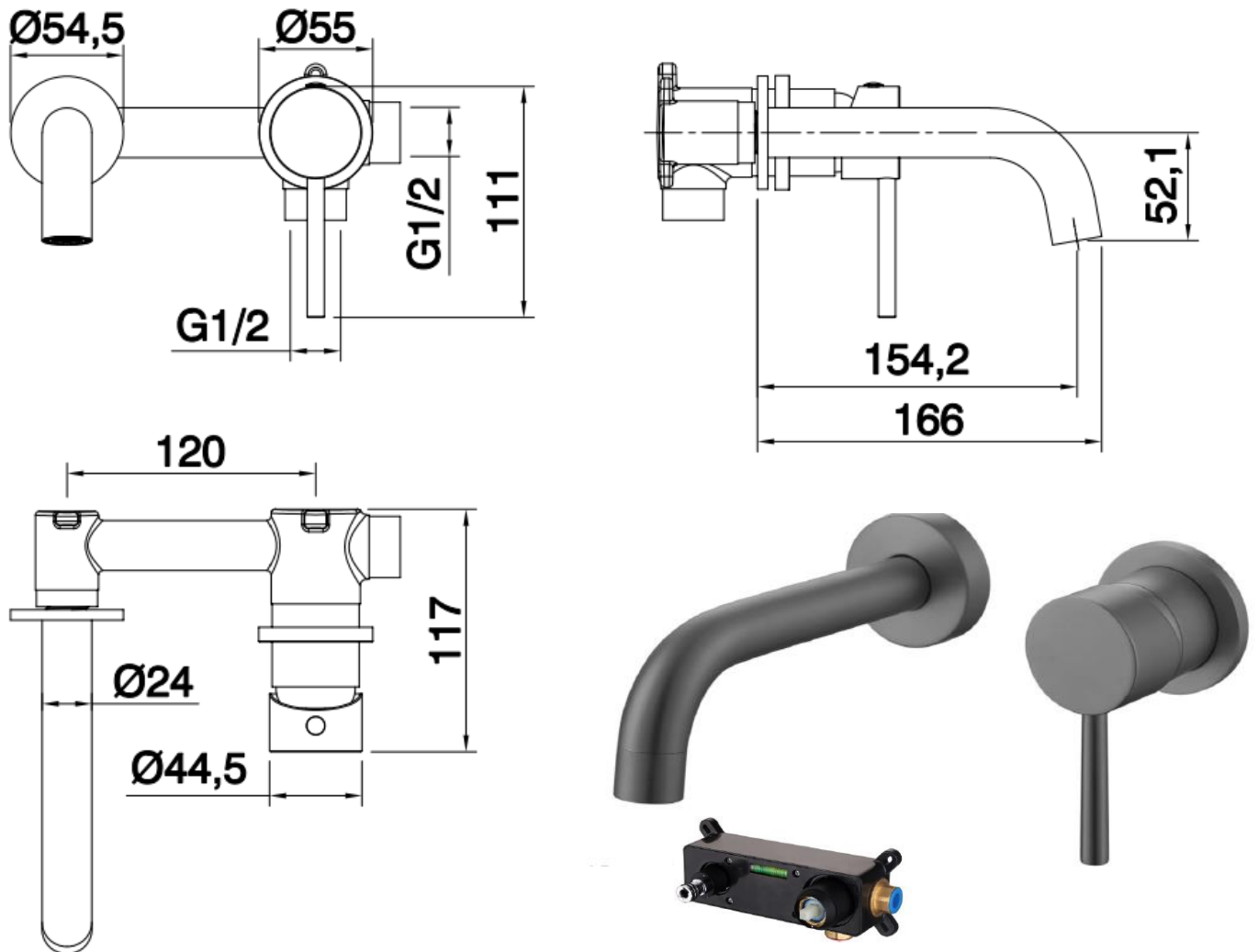


Technical Data Information

Giro Gunmetal Grey Wall Mounted Basin Mixer
AVG18MG

R.T. LARGE

ESTABLISHED 1969



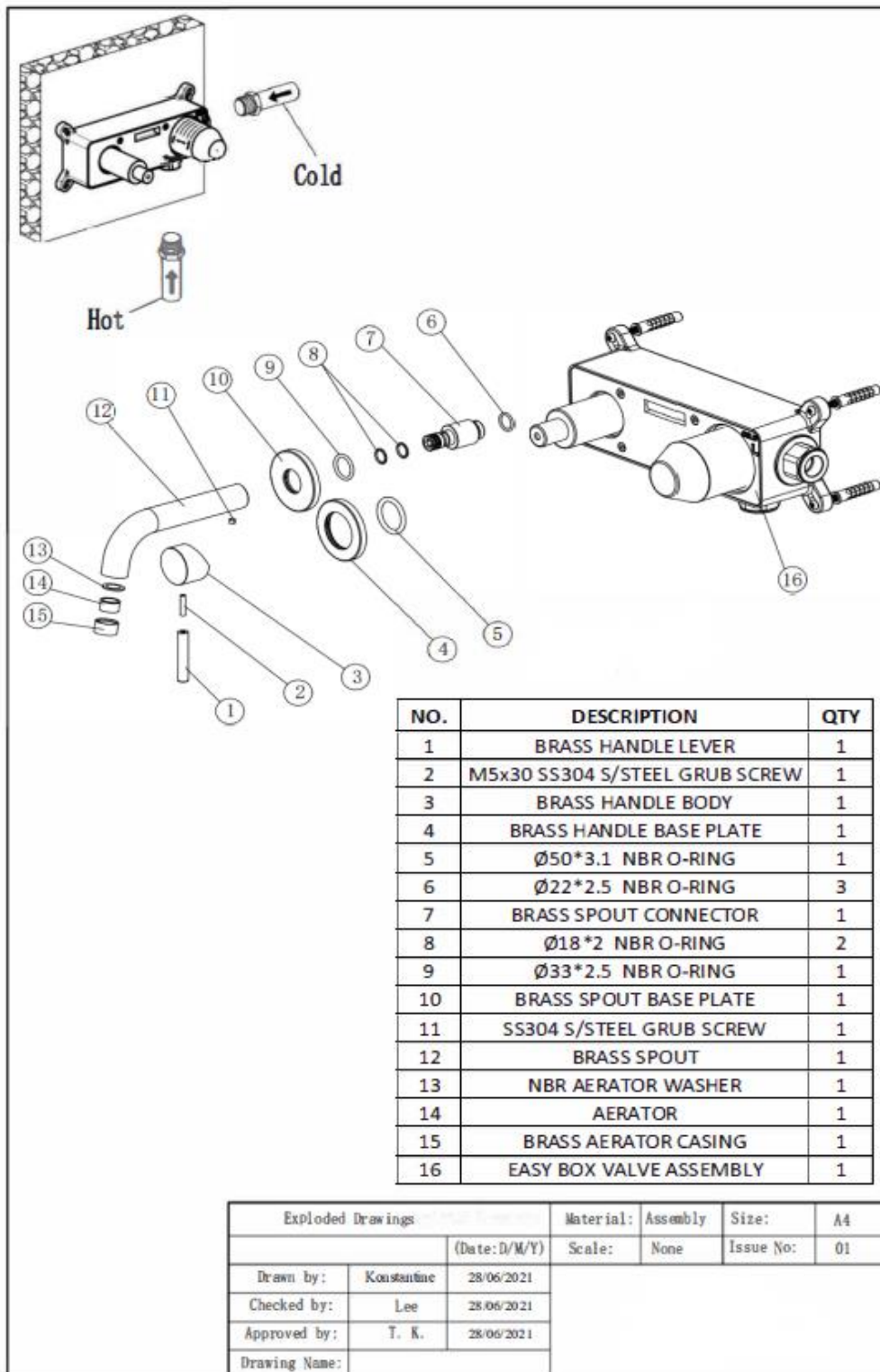
INFORMATION

Construction	Brass Body (CuZn40Pb2), EN CW617N (equivalent to BS CZ122) Zinc-alloy Handle
Finishes	Gunmetal/ PVD Finish
Product Type	Contemporary
Water Pressure	Min. 0.3 bar, Max. 6.0 bar
Plumbing Systems	Suitable for all plumbing systems, preferably balanced Max. supply pressure differential requirement no greater than 5:1
Standards	Complies with BS5412, BS EN200
Cartridge	40mm Ceramic disc cartridge
Aerator	Spout aerator
Fitting	Brass G1/2" BSP tail
Packaging	33 x 31 x 62cm / carton (5 boxes), Dimension: 31 x 29 x 12cm / box; Weight: 2.00Kg / box
Guarantee	5 years against manufacturing faults (excluding serviceable parts)

All Dimensions are in millimetres | All Dimensions in mm have a tolerance of ± 1 mm. The information contained on this page was correct at date of issue. Fitting dimensions are provided as a guide only. Some variation may occur due to manufacturing tolerances. We pursue a policy of continuing improvement in design and performance of our products and so reserve the right to change specifications without prior notice.

R.T. LARGE

ESTABLISHED 1969



Flow Rates (Litres per minute)

System Pressure	0.1 Bar	0.2 Bar	0.3 Bar	0.5 Bar	1.0 Bar	1.5 Bar	2.0 Bar	3.0 Bar	4.0 Bar	5.0 Bar
	2.2	2.9	3.6	4.5	6.4	7.8	9.2	11.2	12.8	14.1

All Dimensions are in millimetres | All Dimensions in mm have a tolerance of ± 1 mm. The information contained on this page was correct at date of issue. Fitting dimensions are provided as a guide only. Some variation may occur due to manufacturing tolerances. We pursue a policy of continuing improvement in design and performance of our products and so reserve the right to change specifications without prior notice.