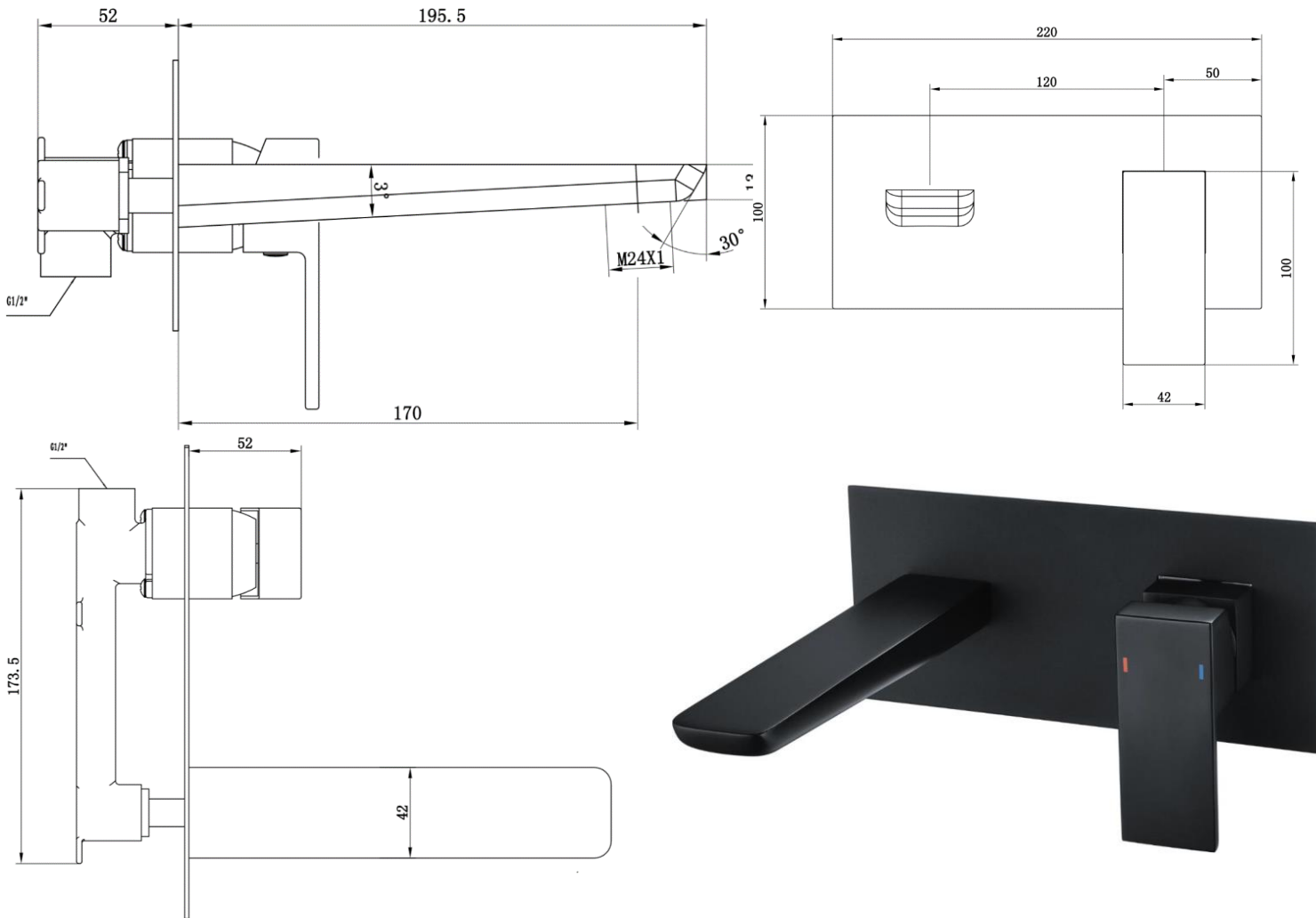


Technical Data Information

Saldo Black Wall Mount Basin Mixer
AVHD18K

R.T. LARGE

ESTABLISHED 1969



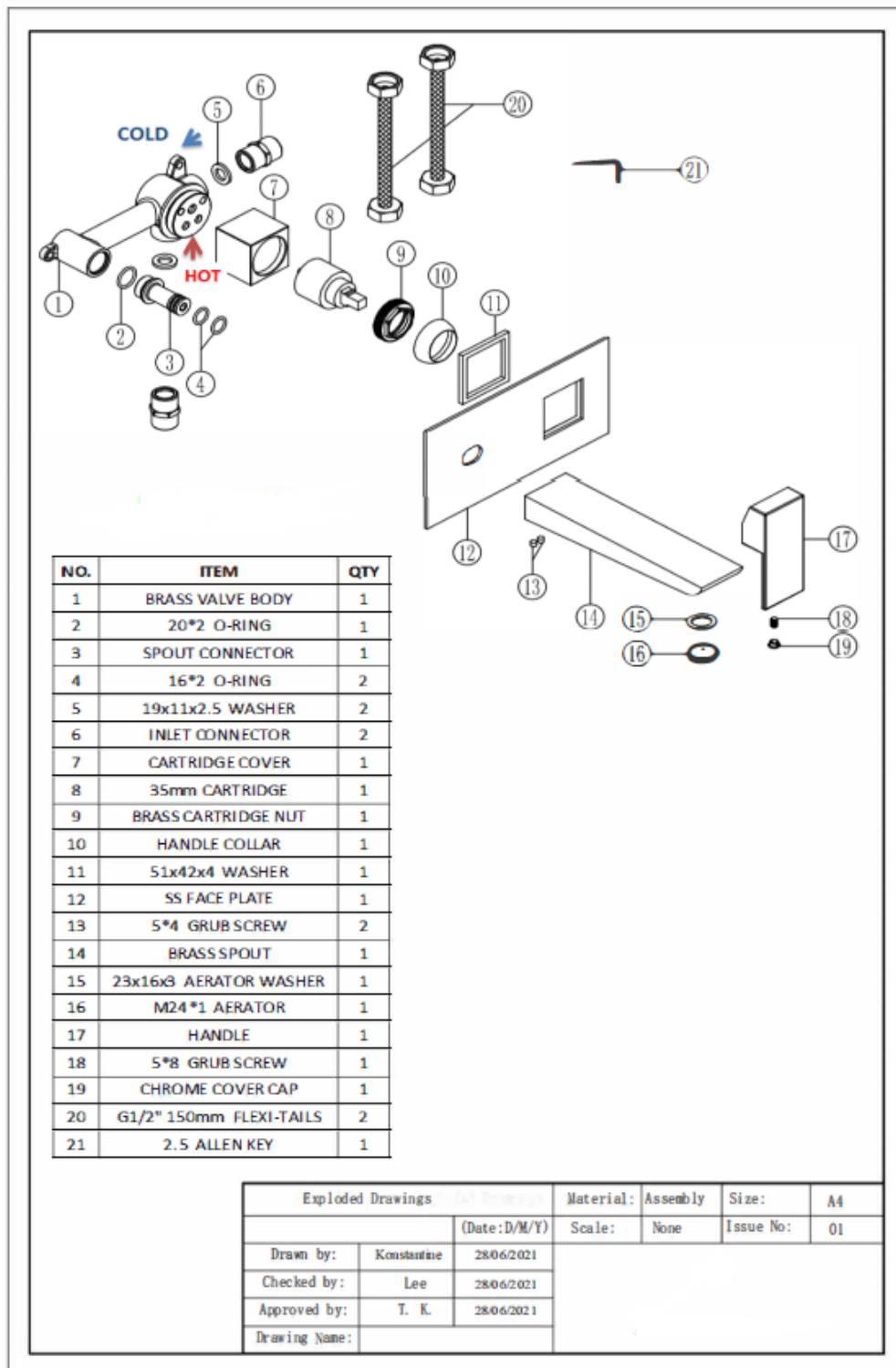
INFORMATION

Construction	Brass Body (CuZn40Pb2), EN CW617N (equivalent to BS CZ122); Zinc-alloy Handle; Stainless steel Face plate
Finishes	Matt Black /Electroplating
Product Type	Contemporary
Water Pressure	Min. 0.2 bar, Max. 6.0 bar
Plumbing Systems	Suitable for all plumbing systems, Hot and Cold water pressure preferably balanced Max. supply pressure differential requirement no greater than 5:1
Standards	Complies with BS5412, BS EN200
Cartridge	35mm WANHAI Ceramic disc cartridge
Aerator	M24*1 Spout aerator
Fitting	Two G1/2" x G1/2" BSP Flexible inlet connection hoses supplied (hot and cold)
Packaging	46.5 x 39.5 x 26cm / carton (8 boxes); Dimension: 22 x 19 x 12cm / box; Weight: 2.19Kg / box
Guarantee	5 years against manufacturing faults (excluding serviceable parts)

All Dimensions are in millimetres. The information contained on this page was correct at date of issue. Fitting dimensions are provided as a guide only. Some variation may occur due to manufacturing tolerances. We pursue a policy of continuing improvement in design and performance of our products and so reserve the right to change specifications without prior notice.

R.T. LARGE

ESTABLISHED 1969



Flow Rates (Litres per minute)

System Pressure	0.1 Bar	0.2 Bar	0.3 Bar	0.5 Bar	1.0 Bar	1.5 Bar	2.0 Bar	3.0 Bar	4.0 Bar	5.0 Bar
AVHD18K	4.3	5.9	-	9.1	12.8	15.6	18.0	22.0	-	-

All Dimensions are in millimetres. The information contained on this page was correct at date of issue. Fitting dimensions are provided as a guide only. Some variation may occur due to manufacturing tolerances. We pursue a policy of continuing improvement in design and performance of our products and so reserve the right to change specifications without prior notice.