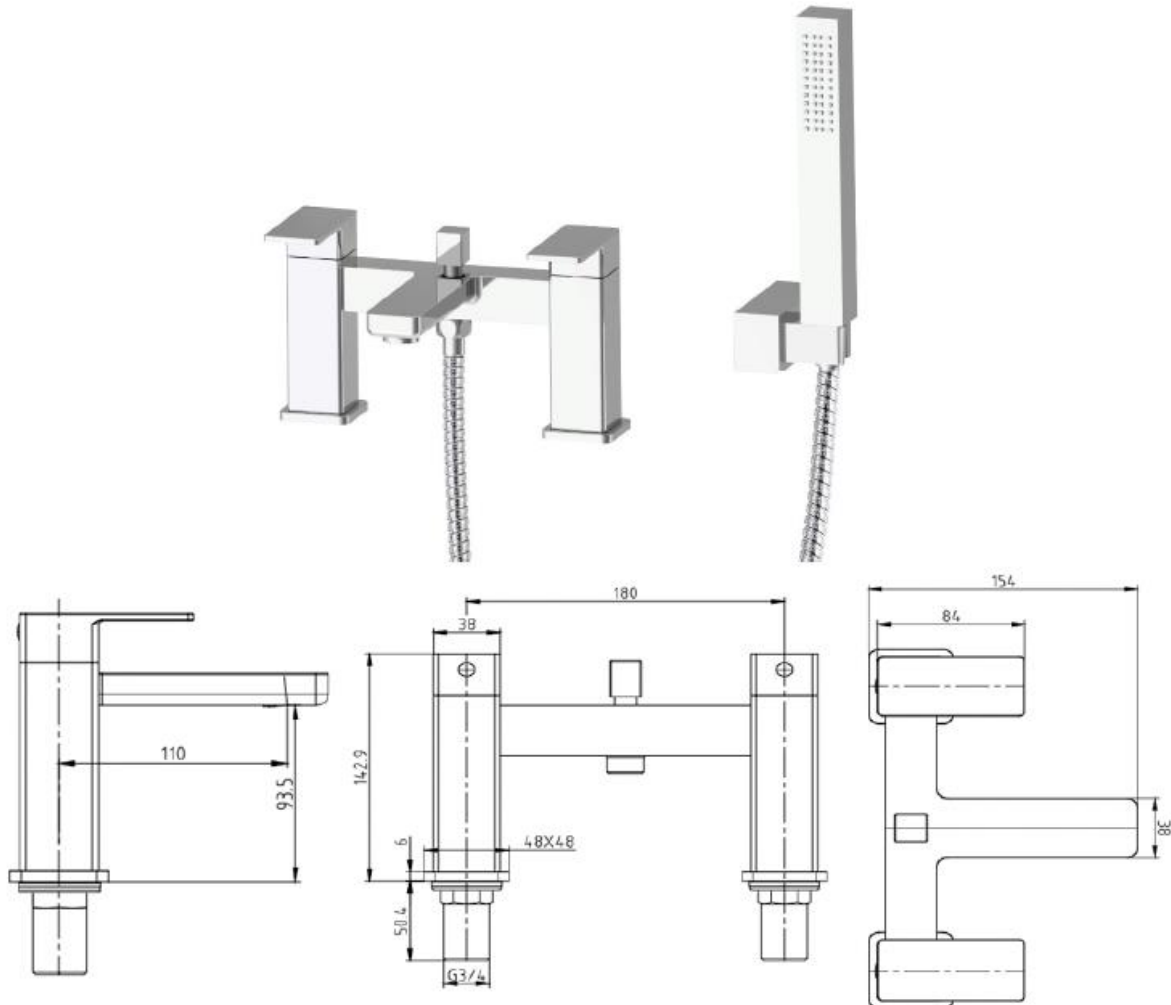


Technical Data Information
 Rivo Chrome Bath Shower Mixer
 AVRZ04

R.T. LARGE

ESTABLISHED 1969



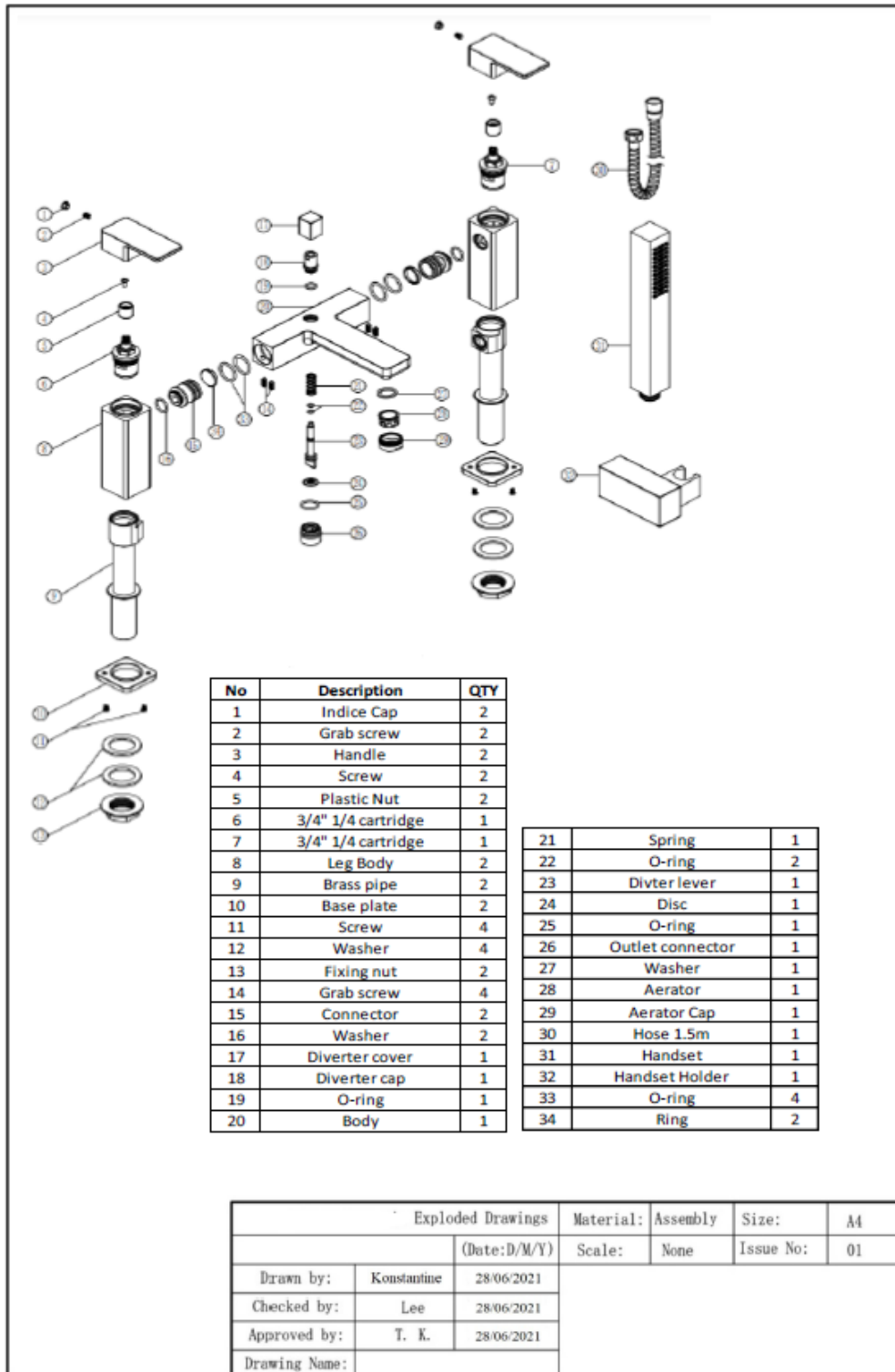
INFORMATION

Construction	Brass Body; Zinc-alloy Handles
Finishes	Chrome
Product Type	Contemporary
Water Pressure	Min. 0.5 bar, Max. 6.0 bar
Plumbing Systems	Suitable for all plumbing systems, Hot and Cold water pressure preferably balanced Max. supply pressure differential requirement no greater than 5:1
Cartridge	Ceramic disc valves
Fitting	G ³ / ₄ " BSP tails ; Outlet G1/2
Packaging	35.5 x 26.5 x 42cm / carton (10 boxes), Dimension: 25.5 x 21.5 x 18cm / box; Weight: 2.54Kg / box
Guarantee	10 years against manufacturing faults (excluding serviceable parts)

All Dimensions are in millimetres. The information contained on this page was correct at date of issue. Fitting dimensions are provided as a guide only. Some variation may occur due to manufacturing tolerances. We pursue a policy of continuing improvement in design and performance of our products and so reserve the right to change specifications without prior notice.

R.T. LARGE

ESTABLISHED 1969



Flow Rates (Litres per minute)

System Pressure	0.1 Bar	0.2 Bar	0.3 Bar	0.5 Bar	1.0 Bar	1.5 Bar	2.0 Bar	3.0 Bar	4.0 Bar	5.0 Bar
	-	7.4	-	14.5	21.9	24.0	26.0	27.0	-	-

All Dimensions are in millimetres. The information contained on this page was correct at date of issue. Fitting dimensions are provided as a guide only. Some variation may occur due to manufacturing tolerances. We pursue a policy of continuing improvement in design and performance of our products and so reserve the right to change specifications without prior notice.