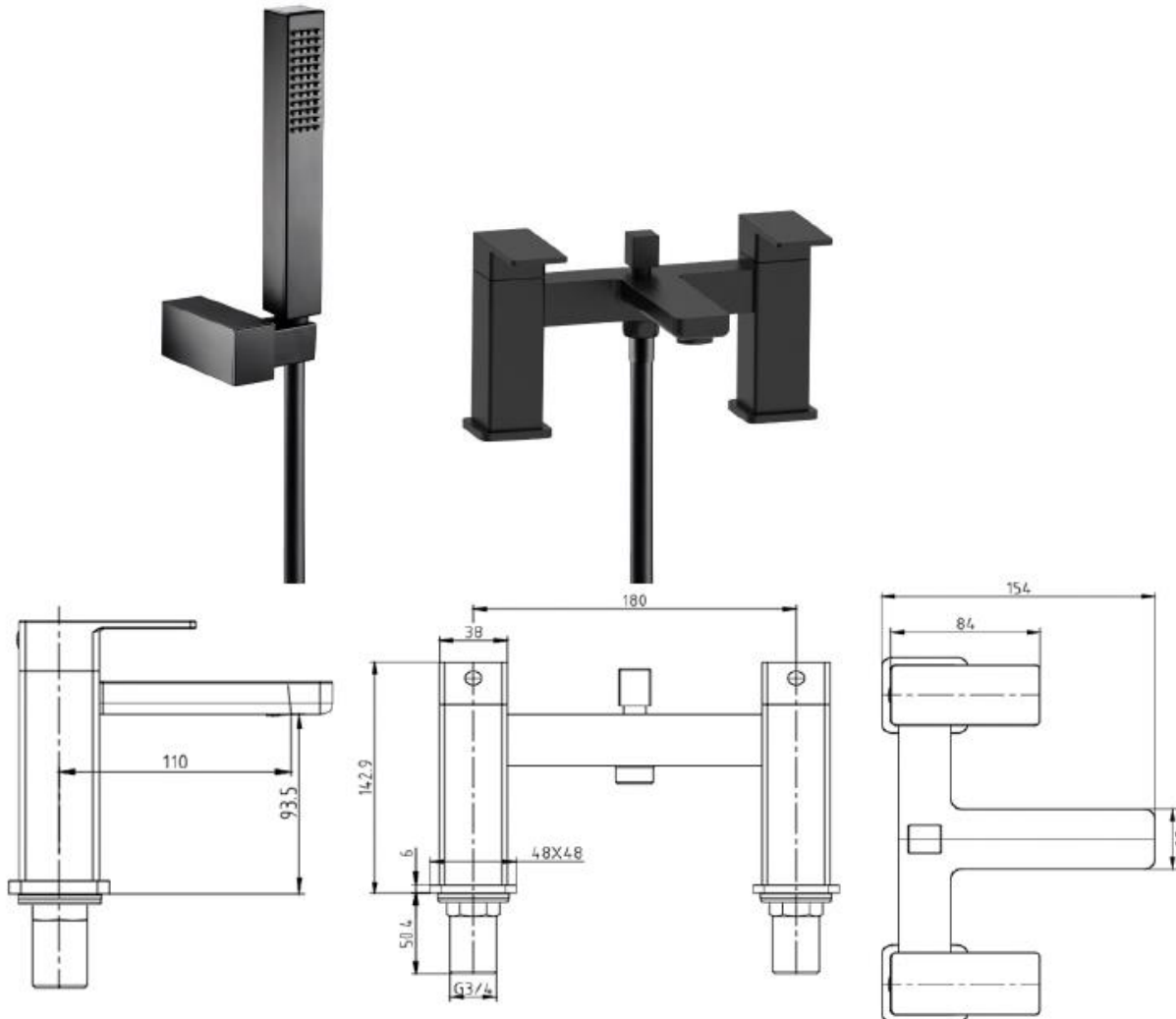


Technical Data Information

Rivo Black Bath Shower Mixer
AVRZ04K

R.T. LARGE

ESTABLISHED 1969



INFORMATION

Construction

Brass Body; Zinc-alloy Handles

Finishes

Matt Black/Electroplating Finish

Product Type

Contemporary

Water Pressure

Min. 0.5 bar, Max. 6.0 bar

Plumbing Systems

Suitable for all plumbing systems, Hot and Cold water pressure preferably balanced
Max. supply pressure differential requirement no greater than 5:1

Cartridge

Ceramic disc valves

Fitting

G $\frac{3}{4}$ " BSP tails ; Outlet G1/2

Packaging

35.5 x 26.5 x 42cm / carton (10 boxes), Dimension: 25.5 x 21.5 x 18cm / box;
Weight: 2.54Kg / box

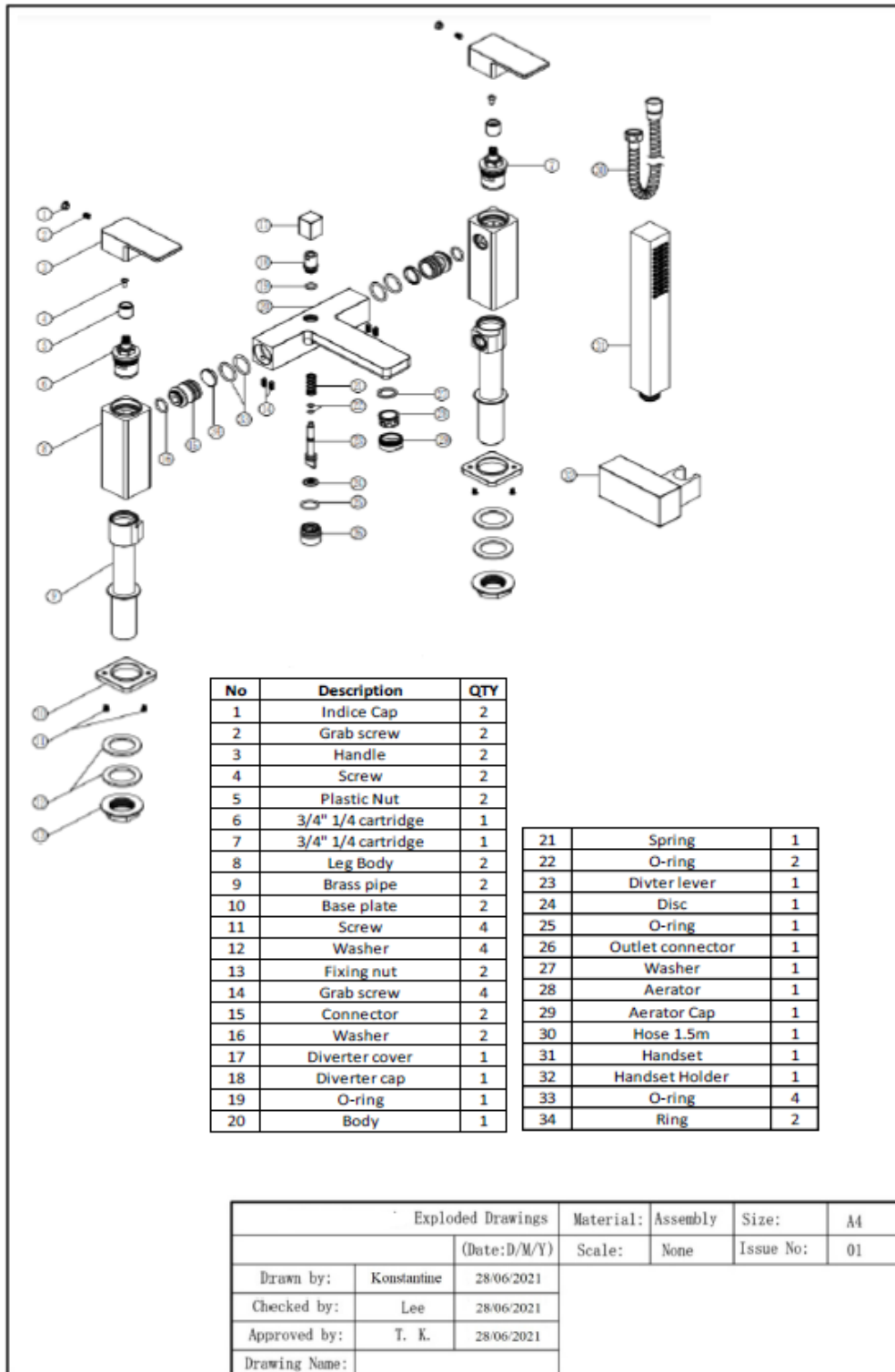
Guarantee

5 years against manufacturing faults (excluding serviceable parts)

All Dimensions are in millimetres. The information contained on this page was correct at date of issue. Fitting dimensions are provided as a guide only. Some variation may occur due to manufacturing tolerances. We pursue a policy of continuing improvement in design and performance of our products and so reserve the right to change specifications without prior notice.

R.T. LARGE

ESTABLISHED 1969



Flow Rates (Litres per minute)

System Pressure	0.1 Bar	0.2 Bar	0.3 Bar	0.5 Bar	1.0 Bar	1.5 Bar	2.0 Bar	3.0 Bar	4.0 Bar	5.0 Bar
	-	7.4	-	14.5	21.9	24.0	26.0	27.0	-	-

All Dimensions are in millimetres. The information contained on this page was correct at date of issue. Fitting dimensions are provided as a guide only. Some variation may occur due to manufacturing tolerances. We pursue a policy of continuing improvement in design and performance of our products and so reserve the right to change specifications without prior notice.