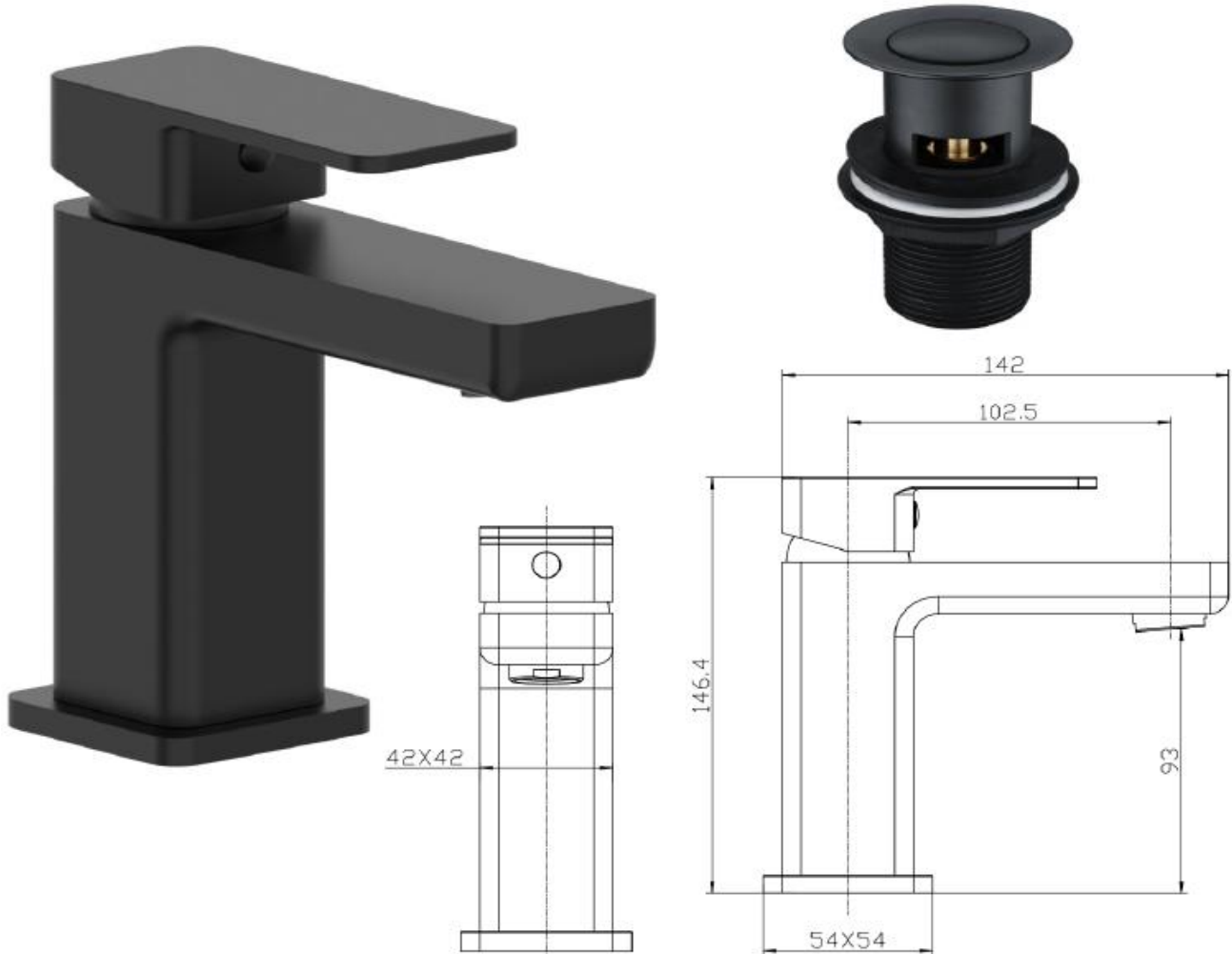


Technical Data Information

Rivo Black Mono Basin Mixer inc. Waste
AVRZ05K

R.T. LARGE

ESTABLISHED 1969



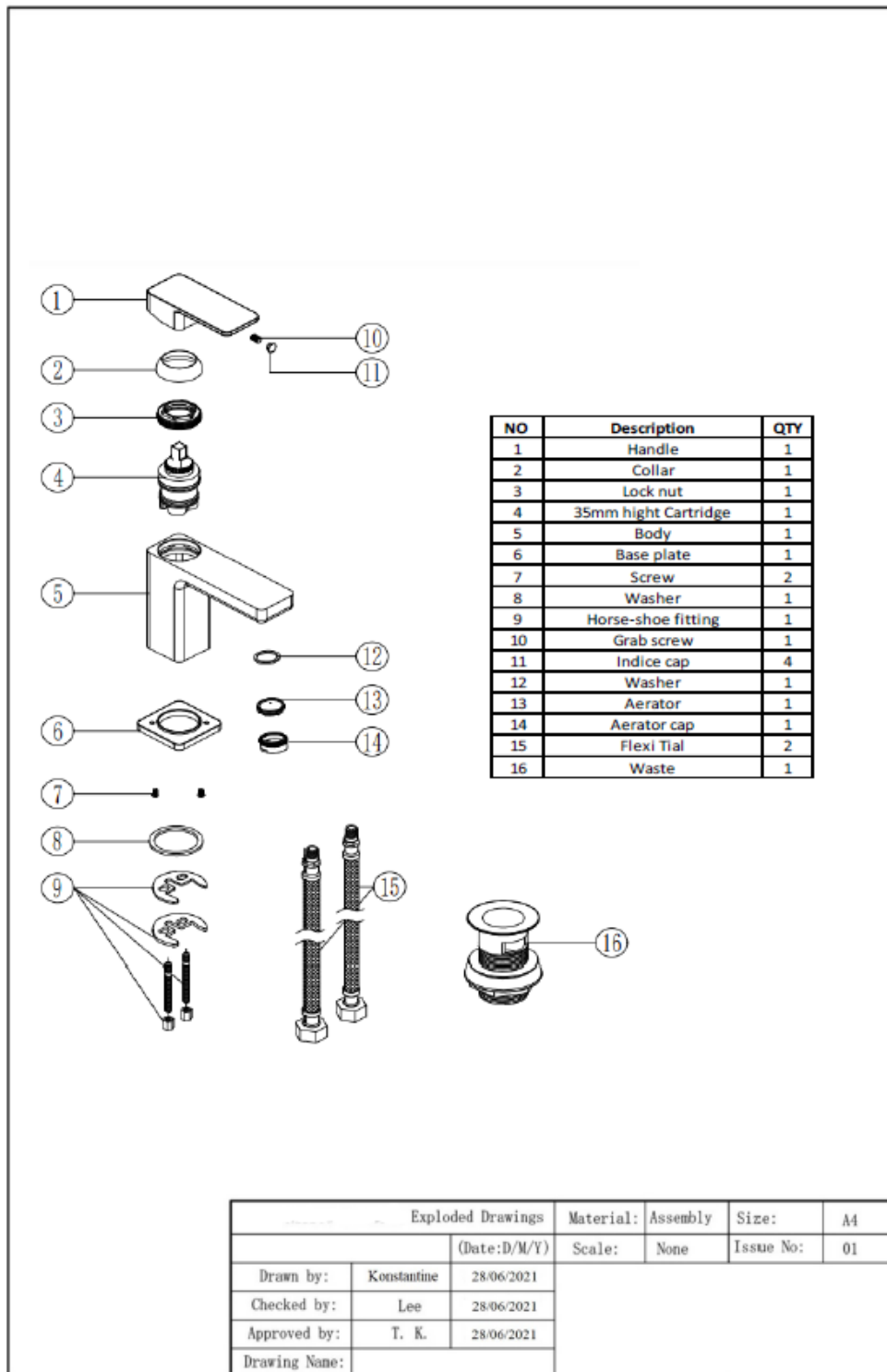
INFORMATION

Construction	Brass Body (CuZn40Pb2), EN CW617N (equivalent to BS CZ122) Zinc-alloy Handle
Finishes	Matt Black/Electroplating Finsih
Product Type	Contemporary
Water Pressure	Min. 0.2 bar, Max. 6.0 bar
Plumbing Systems	Suitable for all plumbing systems, Hot and Cold water pressure preferably balanced; Max. supply pressure differential requirement no greater than 5:1
Standards	Complies with BS6920, BS EN200
Cartridge	35mm HIGH Ceramic disc cartridge
Aerator	Spout aerator
Fitting	M10 x 400mm G1/2" BSP Female Flexi Tails
Packaging	35.5 x 26.5 x 42cm / carton (10 boxes), Dimension: 25.5 x 17 x 8cm / box; Weight: 1.5Kg / box
Guarantee	5 years against manufacturing faults (excluding serviceable parts)
Additional Information	Supplied with G1¼" sprung waste

All Dimensions are in millimetres. The information contained on this page was correct at date of issue. Fitting dimensions are provided as a guide only. Some variation may occur due to manufacturing tolerances. We pursue a policy of continuing improvement in design and performance of our products and so reserve the right to change specifications without prior notice.

R.T. LARGE

ESTABLISHED 1969



Flow Rates (Litres per minute)

System Pressure	0.1 Bar	0.2 Bar	0.3 Bar	0.5 Bar	1.0 Bar	1.5 Bar	2.0 Bar	3.0 Bar	4.0 Bar	5.0 Bar
	-	3.6	-	6.6	9.7	12.0	13.9	17.2	-	-

All Dimensions are in millimetres. The information contained on this page was correct at date of issue. Fitting dimensions are provided as a guide only. Some variation may occur due to manufacturing tolerances. We pursue a policy of continuing improvement in design and performance of our products and so reserve the right to change specifications without prior notice.