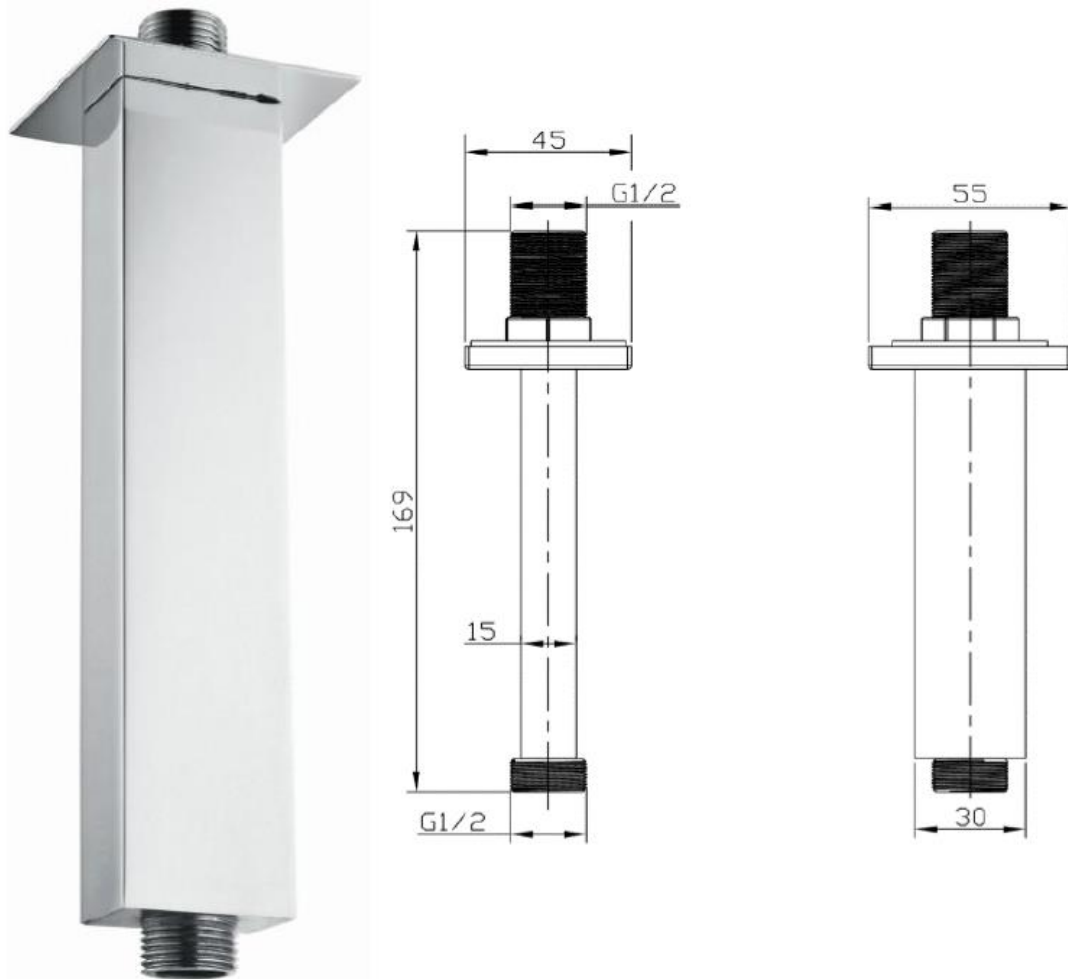


Technical Data Information

Square Chrome 120mm Ceiling Shower Arm
AVSA04



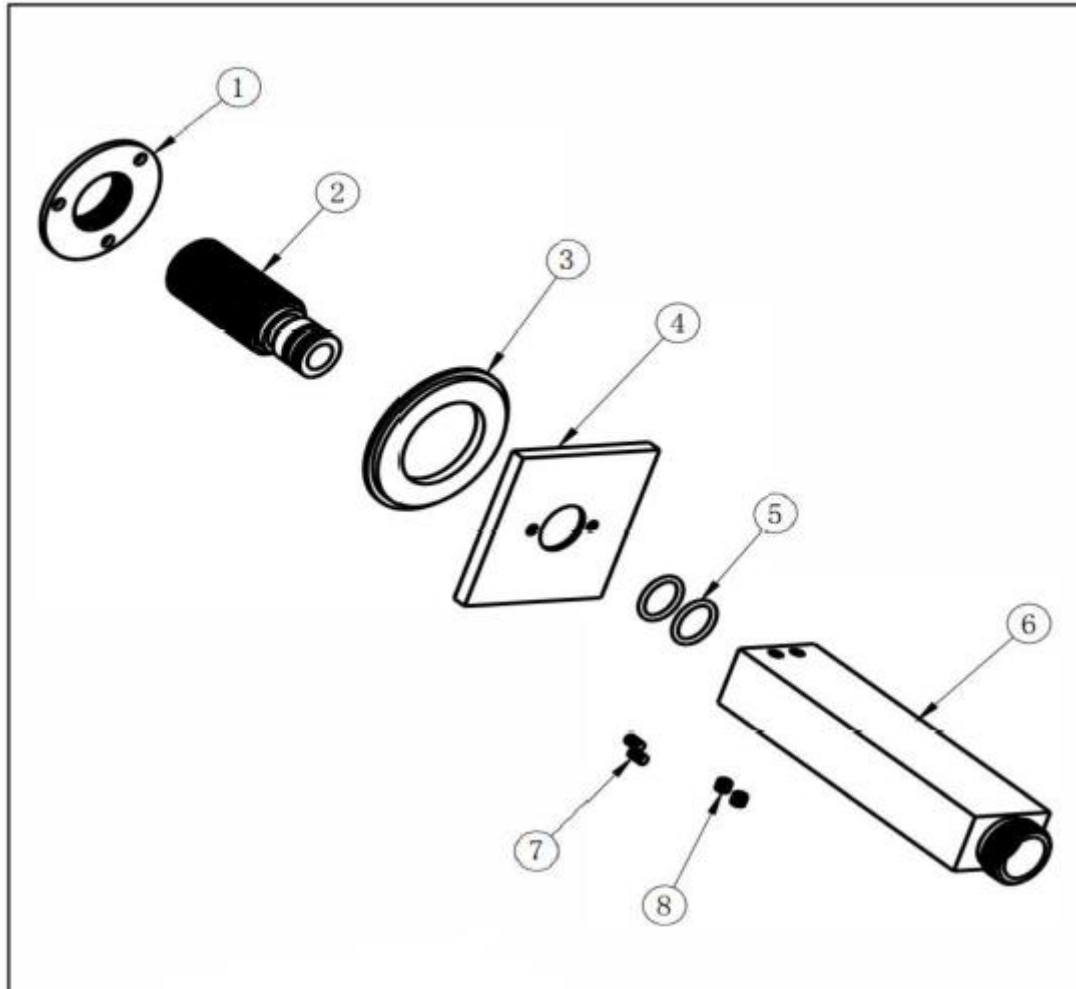
INFORMATION

Construction	Brass Body (CuZn38Pb18)
Finishes	Chrome plated to BS EN 248
Product Type	Contemporary
Plumbing Systems	Suitable for all plumbing systems
Certification	Manufactured to comply with WRAS
Fitting	G1/2" BSP external (male) thread
Packaging	68.5 x 39 x 35cm / carton (100 boxes), Dimension: 18.6 x 6.6 x 6.6cm / box; Weight: 0.33Kg / box
Guarantee	5 years against manufacturing faults (excluding serviceable parts)
Additional Information	Length: 120mm

All Dimensions are in millimetres. The information contained on this page was correct at date of issue. Fitting dimensions are provided as a guide only. Some variation may occur due to manufacturing tolerances. We pursue a policy of continuing improvement in design and performance of our products and so reserve the right to change specifications without prior notice.

R.T. LARGE

ESTABLISHED 1969



No.	DESCRIPTION	QTY
1	BRASS NUT	1
2	INLET CONNECTOR	1
3	BASE PLATE WASHER	1
4	BASE PLATE	1
5	16X18 NBR O-RING	2
6	BRASS SHOWER ARM	1
7	S/STEEL BASE PLATE GRUB SCREW	2
8	S/STEEL SPOUT GRUB SCREW	2

Exploded Drawings			Material:	Assembly	Size:	A4
(Date: D/M/Y)			Scale:	None	Issue No:	01
Drawn by:	Konstantine	28/06/2021				
Checked by:	Lee	28/06/2021				
Approved by:	T. K.	28/06/2021				
Drawing Name:						

All Dimensions are in millimetres. The information contained on this page was correct at date of issue. Fitting dimensions are provided as a guide only. Some variation may occur due to manufacturing tolerances. We pursue a policy of continuing improvement in design and performance of our products and so reserve the right to change specifications without prior notice.