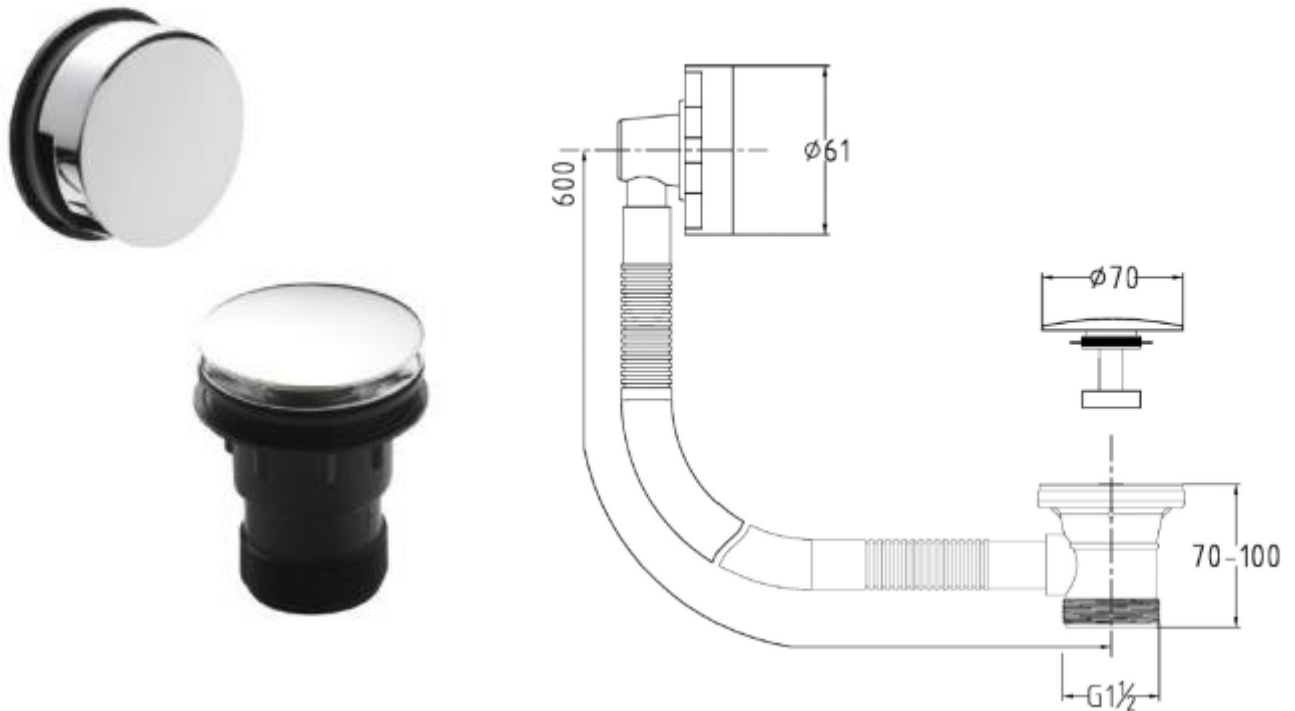


Technical Data Information

Chrome Bath Waste Click Clack
AVWA900E

R.T. LARGE

ESTABLISHED 1969



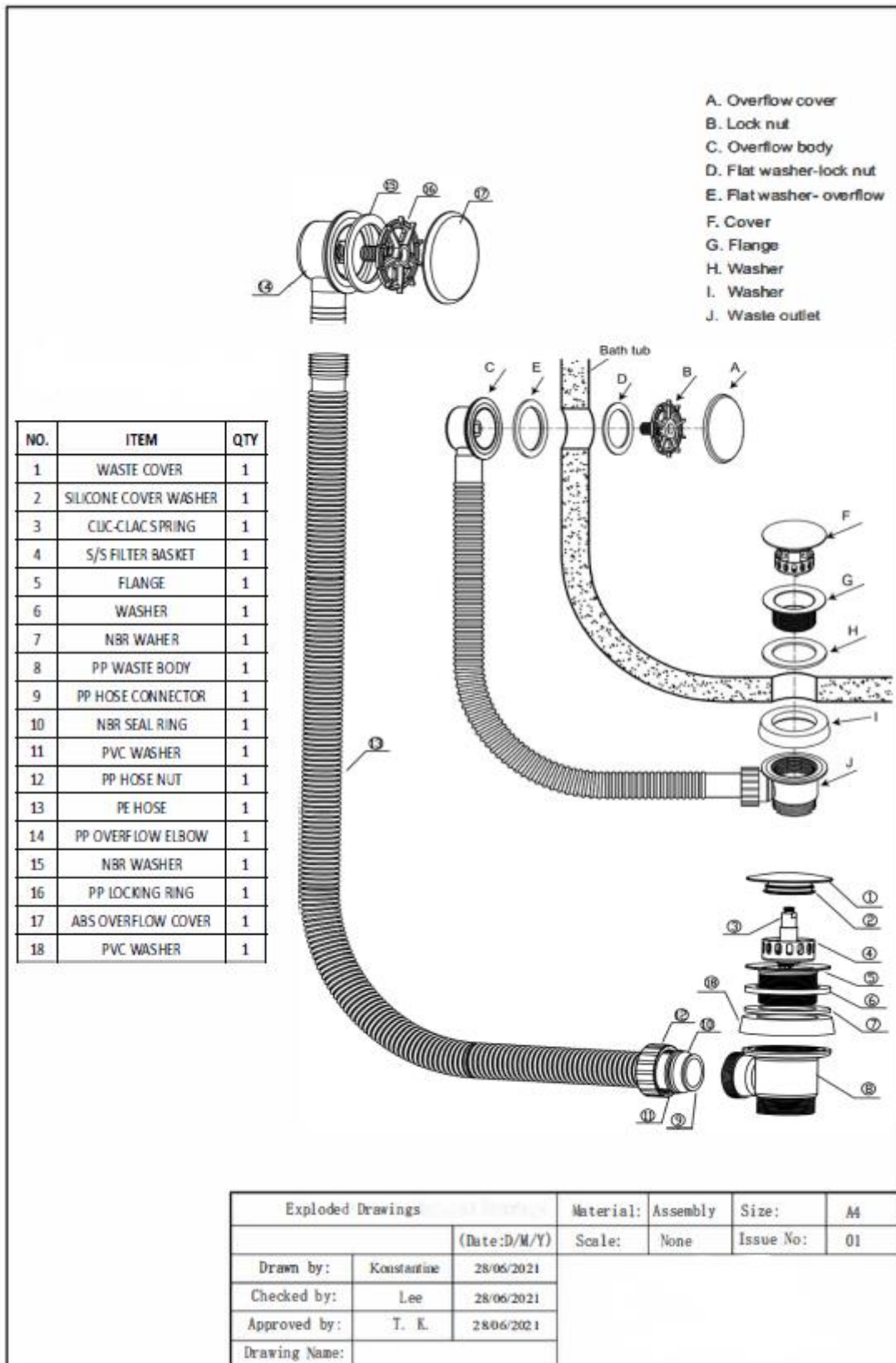
INFORMATION

Construction	Brass, Stainless steel, Polypropylene & ABS
Finishes	Chrome
Product Type	Contemporary
Water Pressure	Min. 0.2 bar, Max. 5.0 bar
Plumbing Systems	Suitable for all plumbing systems
Standards	-
Certification	-
Fitting	Polypropylene G1-1/2" BSP Male thread
Packaging	60 x 47 x 42.5cm / carton (20 boxes), Dimension: 45 x 14.5 x 8cm / box; Weight: 0.66Kg / box
Guarantee	6 months against manufacturing faults (excluding serviceable parts)
Additional Information	Centre to centre length: 980mm, suitable for Bathtub with 5-17mm thickness

All Dimensions are in millimetres | All Dimensions in mm have a tolerance of ± 1 mm. The information contained on this page was correct at date of issue. Fitting dimensions are provided as a guide only. Some variation may occur due to manufacturing tolerances. We pursue a policy of continuing improvement in design and performance of our products and so reserve the right to change specifications without prior notice.

R.T. LARGE

ESTABLISHED 1969



All Dimensions are in millimetres | All Dimensions in mm have a tolerance of ± 1 mm. The information contained on this page was correct at date of issue. Fitting dimensions are provided as a guide only. Some variation may occur due to manufacturing tolerances. We pursue a policy of continuing improvement in design and performance of our products and so reserve the right to change specifications without prior notice.