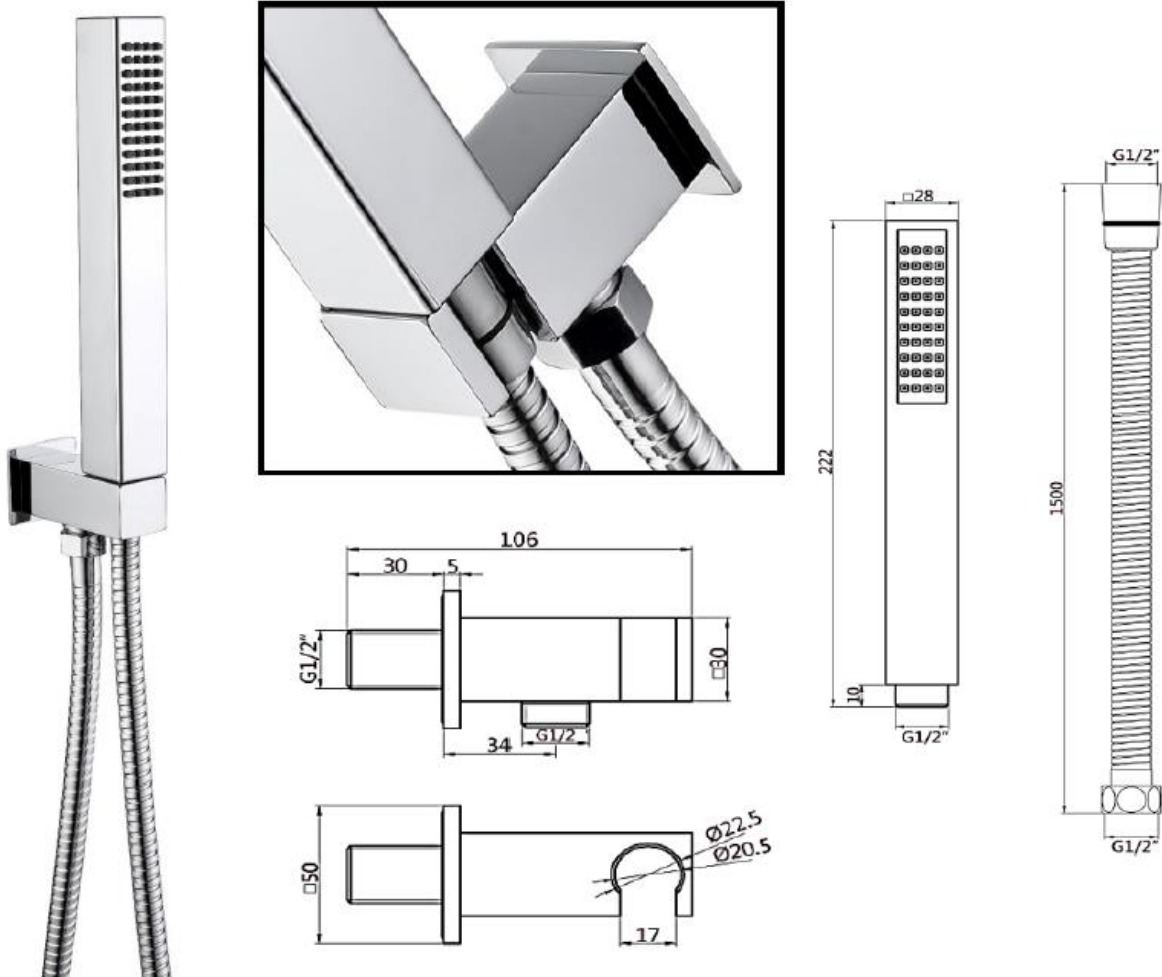


Technical Data Information

Square Chrome Outlet and Parking Bracket inc. Handset & Hose
AVWB13

R.T. LARGE

ESTABLISHED 1969



INFORMATION

Construction

Brass Body (H59-1), equivalent to BS CZ122 / EN CW617N / CuZn40Pb2

Finishes

Chrome plated to BS EN 248

Product Type

Contemporary

Water Pressure

Min. 0.5 bar, Max. 6.0 bar

Plumbing Systems

Suitable for all plumbing systems

Fitting

Brass G1/2" BSP tail inlet & G1/2" BSP Male thread outlet

Packaging

56 x 46 x 42cm / carton (20 boxes), Dimension: 26 x 17 x 8cm / box;
Weight: 0.95Kg / box

Guarantee

1 year against manufacturing faults (excluding serviceable parts)

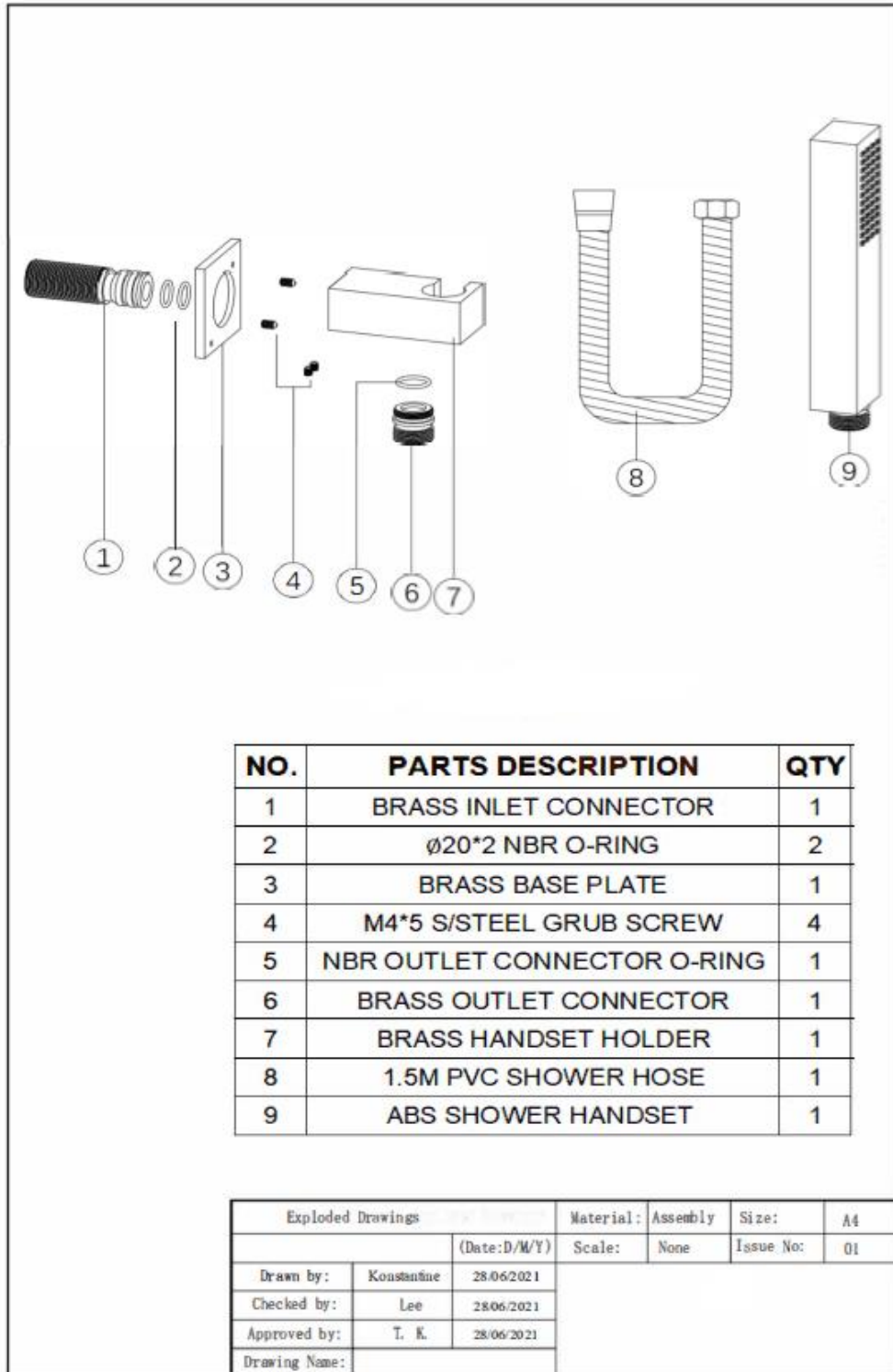
Additional Information

1. Chrome , ABS single mode shower handset , G1/2" BSP
2. Chrome , Stainless steel shower hose , 1.5m , G1/2" BSP
3. Intergrated Brass wall elbow outlet and handset holder

All Dimensions are in millimetres. The information contained on this page was correct at date of issue. Fitting dimensions are provided as a guide only. Some variation may occur due to manufacturing tolerances. We pursue a policy of continuing improvement in design and performance of our products and so reserve the right to change specifications without prior notice.

R.T. LARGE

ESTABLISHED 1969



Flow Rates (Litres per minute)

System Pressure	0.1 Bar	0.2 Bar	0.3 Bar	0.5 Bar	1.0 Bar	1.5 Bar	2.0 Bar	3.0 Bar	4.0 Bar	5.0 Bar
	-	3.1	4.6	7.7	9.7	12.2	14.3	15.8	-	-

All Dimensions are in millimetres. The information contained on this page was correct at date of issue. Fitting dimensions are provided as a guide only. Some variation may occur due to manufacturing tolerances. We pursue a policy of continuing improvement in design and performance of our products and so reserve the right to change specifications without prior notice.