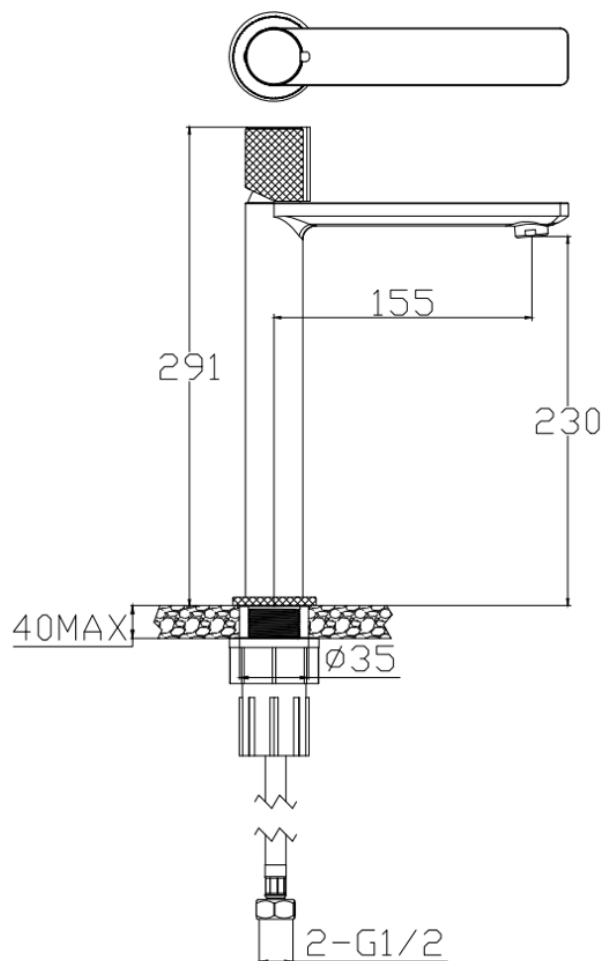


Technical Data Information

Erla Chrome Tall Mono Basin Mixer
ERL08

R.T. LARGE

ESTABLISHED 1969



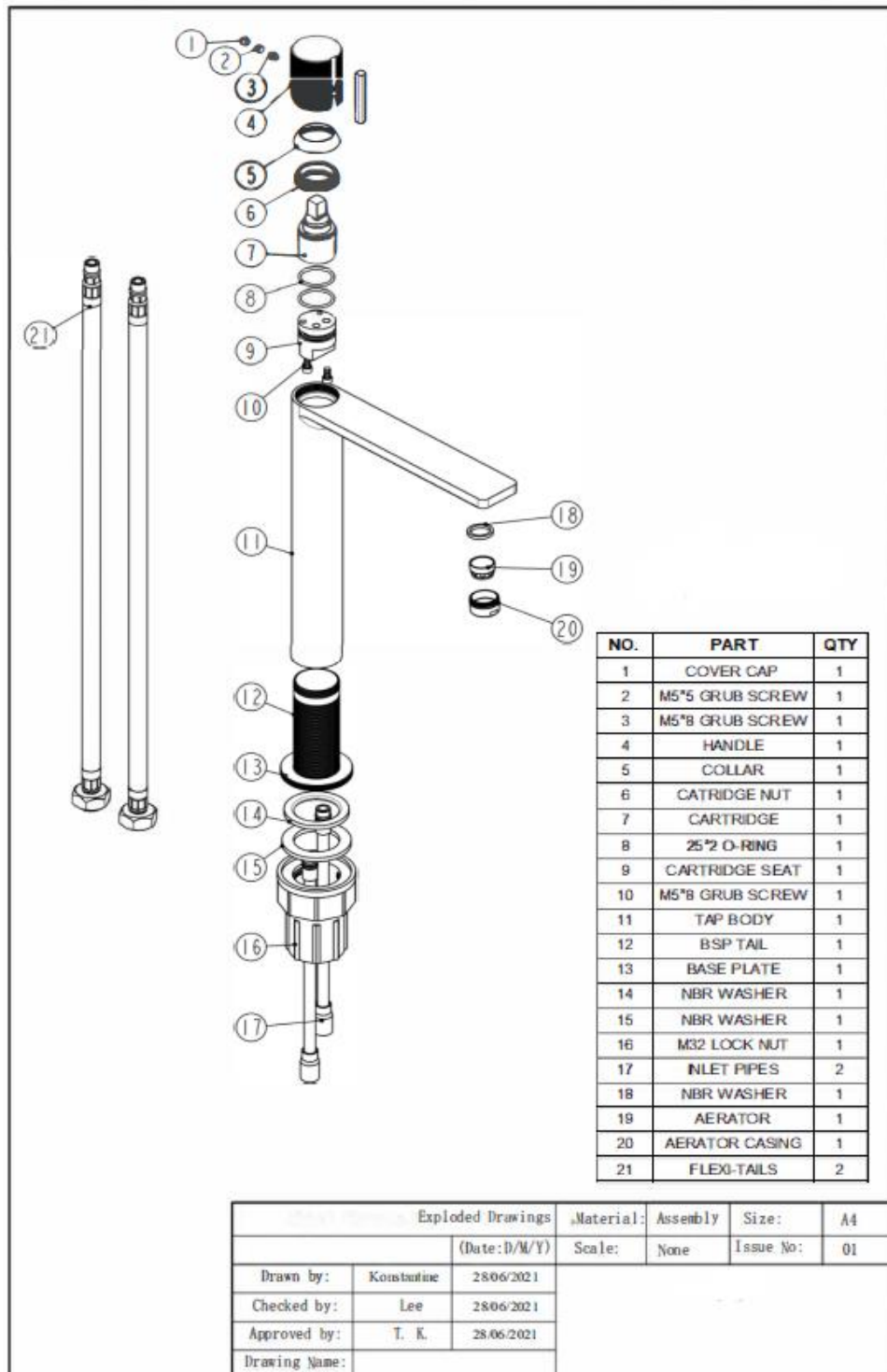
INFORMATION

Construction	Brass Body (CuZn40Pb2), EN CW617N (equivalent to BS CZ122) Zinc alloy Handle
Finishes	Chrome (Ni : 8-12um, Cr : 0.25-0.3um)
Product Type	Contemporary
Water Pressure	Min. 0.5 bar, Max. 6.0 bar
Plumbing Systems	Suitable for all plumbing systems
Standards	Complies with BS6920, BS EN200
Certification	-
Cartridge	35mm Ceramic Disc Cartridge
Aerator	Spout Aerator
Fitting	UK: M10 x 350mm G $\frac{1}{2}$ " BSP Female Flexi Tails EU: M10 x 350mm G $\frac{3}{8}$ " BSP Female Flexi Tails
Packaging	53 x 46.5 x 32cm / carton (8 boxes), Dimension: 44 x 25.5 x 7.5cm / box; Weight: 1.81Kg / box
Guarantee	10 years against manufacturing faults (excluding serviceable parts)
Additional Information	-

All Dimensions are in millimetres | All Dimensions in mm have a tolerance of ± 1 mm. The information contained on this page was correct at date of issue. Fitting dimensions are provided as a guide only. Some variation may occur due to manufacturing tolerances. We pursue a policy of continuing improvement in design and performance of our products and so reserve the right to change specifications without prior notice.

R.T. LARGE

ESTABLISHED 1969



Flow Rates (Litres per minute)

System Pressure	0.1 Bar	0.2 Bar	0.3 Bar	0.5 Bar	1.0 Bar	1.5 Bar	2.0 Bar	3.0 Bar	4.0 Bar	5.0 Bar
	1.9	2.7	-	4.1	5.7	-	8.1	9.9	-	12.8

All Dimensions are in millimetres | All Dimensions in mm have a tolerance of ± 1 mm. The information contained on this page was correct at date of issue. Fitting dimensions are provided as a guide only. Some variation may occur due to manufacturing tolerances. We pursue a policy of continuing improvement in design and performance of our products and so reserve the right to change specifications without prior notice.