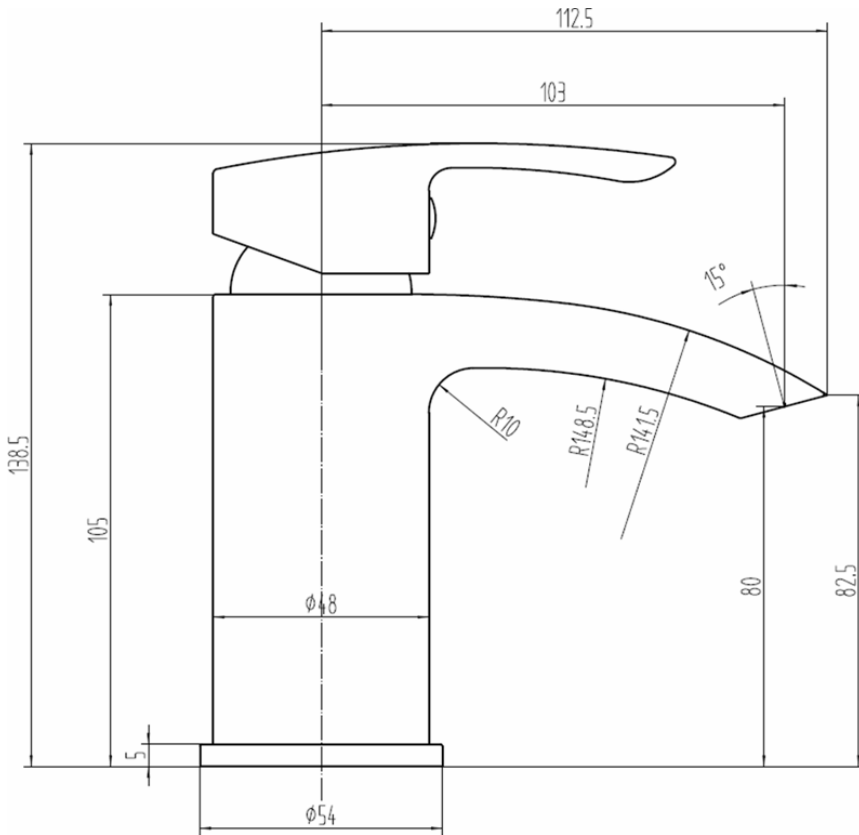


Technical Data Information

Shade Black Mono Basin Mixer inc. Waste
TSHA05K

R.T. LARGE

ESTABLISHED 1969



INFORMATION

Construction	Brass Body (CuZn40Pb2), EN CW617N (equivalent to BS CZ122) Zinc-alloy Handle
Finishes	Matt Black/ Electroplating Finish
Product Type	Contemporary
Water Pressure	Min. 0.2 bar, Max. 6.0 bar
Plumbing Systems	Suitable for all plumbing systems, Hot and Cold water pressure preferably balanced Max. supply pressure differential requirement no greater than 5:1
Standards	Complies with BS6920, BS EN200
Certification	WRAS approved and certified
Net Weight (Tap only)	921g
Cartridge	WRAS approved 35mm Ceramic disc cartridge
Aerator	Laminar spout
Fitting	UK: M10 x 350mm G1/2" BSP Female Flexi Tails EU: M10 x 350mm G3/8" BSP Female Flexi Tails
Packaging	57 x 37.5 x 22cm / carton (10 boxes), Dimension: 20.6 x 18 x 11.1cm / box; Weight: 1.50Kg / box
Guarantee	5 years against manufacturing faults (excluding serviceable parts)
Additional Information	Supplied with G1¼" sprung waste (UK only)

All Dimensions are in millimetres. The information contained on this page was correct at date of issue. Fitting dimensions are provided as a guide only. Some variation may occur due to manufacturing tolerances. We pursue a policy of continuing improvement in design and performance of our products and so reserve the right to change specifications without prior notice.

R.T. LARGE

ESTABLISHED 1969

Mono Basin Mixer

NO.	CODE	DESCRIPTION	QTY
1	SB05-01	SCREW	1
2	SB05-02	INDICE	1
3	SB05-03	HANDLE	1
4	SB05-04	PLASTIC COVER	1
5	SB05-05	CARTRIDGE NUT	1
6	SB05-06	35 UP-SEAL CARTRIDGE	1
7	SB05-07	BODY	1
8	SB05-08	BASE PLATE	1
9	SB05-09	WASHER	1
10	SB05-10	M10*1400 FLEXI TAILS	1 PAIR
11	SB05-11	M8 FIXING KIT	1

Exploded Drawings			Material:	Assembly	Size:	A4
			Scale:	None	Issue No:	01
Drawn by:	Koustaouac	28/06/2021				
Checked by:	Lee	28/06/2021				
Approved by:	T. K.	28/06/2021				
Drawing Name:						



Flow Rates (Litres per minute)

System Pressure	0.1 Bar	0.2 Bar	0.3 Bar	0.5 Bar	1.0 Bar	1.5 Bar	2.0 Bar	3.0 Bar	4.0 Bar	5.0 Bar
	2.8	4.6	-	7.5	10.1	13.3	15.5	18.9	-	-

All Dimensions are in millimetres. The information contained on this page was correct at date of issue. Fitting dimensions are provided as a guide only. Some variation may occur due to manufacturing tolerances. We pursue a policy of continuing improvement in design and performance of our products and so reserve the right to change specifications without prior notice.