

Technical Data Sheet

Anthem Deck Mounted Bath Filler

TAN32 (Chrome), TAN3203 (Black), TAN3204 (Brass), TAN3205 (Gunmetal)

No.	Description	Code	Fixings Included
1	Anthem Deck Mounted Bath Filler	TAN32, TAN3203, TAN3204 TAN3205	YES

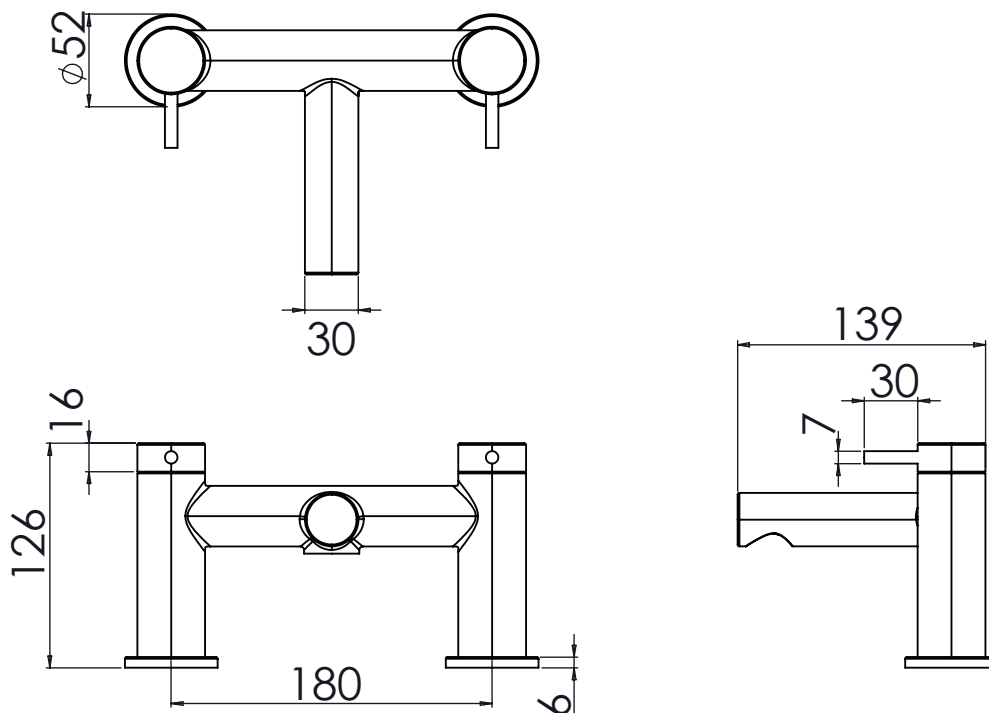


FLOW RATE DATA IS TESTED UNDER LABORATORY CONDITIONS: ACTUAL FLOW RATE MAY VARY DEPENDING ON DOMESTIC SUPPLY AND ACCESSORIES

Pressure:	Flow Rate:
0.2bar	7.5 litres / min
0.3bar	10 litres / min
0.4bar	11.5 litres / min
0.5bar	13 litres / min
1bar	18.5 litres / min
2bar	26.5 litres / min

Dimensions:

Diagrams not to scale. All dimensions in mm (tolerance of +/-5mm)



*Dimensions are subject to change, customers are advised to measure actual product before commencing installation.

FAQs

What is the size of the bath filler threaded connection? The threaded connectors have a standard 3/4" BSP fixing.

What is the recommended minimum pressure? 0.2 Bar